

Monoblock- und Selektional-Ventile Monoblocs et sélecteurs de voies

HDS 11



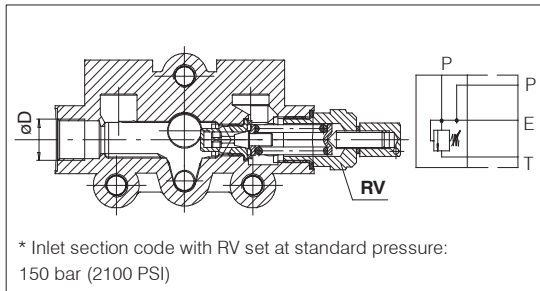
Monoblock- und Selektional-Ventile Monoblocs et sélecteurs de voies

230214

HDS11

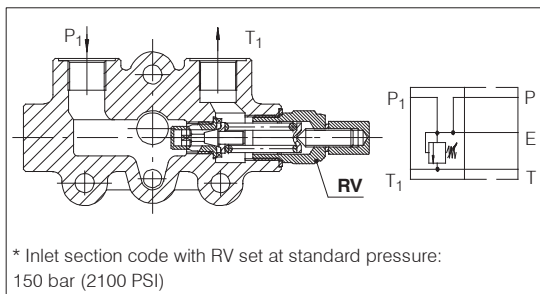
8A.4 Inlet and outlet covers

8A.4.1 Inlet manifold (standard) with P and RV



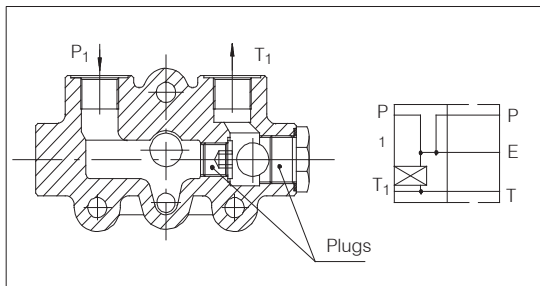
Ø D	Type	Code
SAE6	T06	* 200.9310.6002.0
SAE8	T07	* 200.9310.7003.0
3/8" BSP	T09	* 200.9310.2002.0
M18X1.5	T10	* 200.9310.1003.0

8A.4.2 Inlet manifold with P₁ - T₁ - RV



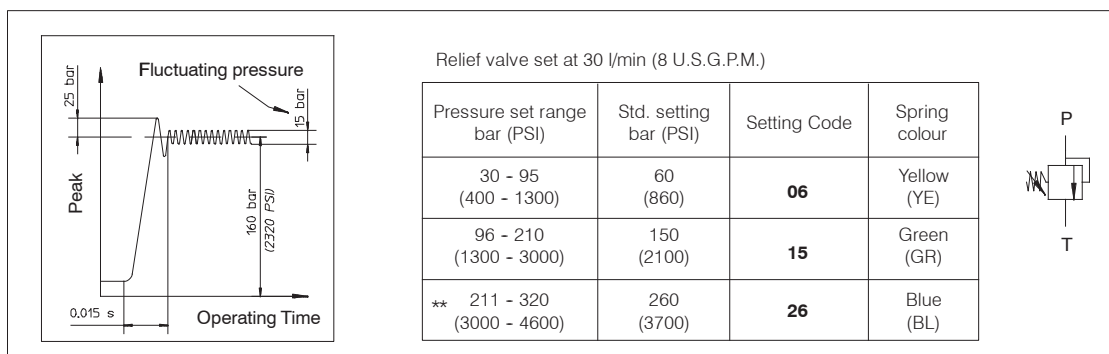
Ø D	Type	Code
SAE6	T11	* 200.9310.6003.0
SAE8	T12	* 200.9310.7002.0
3/8" BSP	T14	* 200.9310.2003.0
M18X1.5	T15	* 200.9310.1002.0

8A.4.3 Inlet manifold with P₁ - T₁



Ø D	Type	Code
SAE6	T16	200.9310.6004.0
SAE8	T17	200.9310.7005.0
3/8" BSP	T19	200.9310.2004.0
M18X1.5	T20	200.9310.1004.0

8A.5 Adjustable direct acting pressure Relief Valve RV



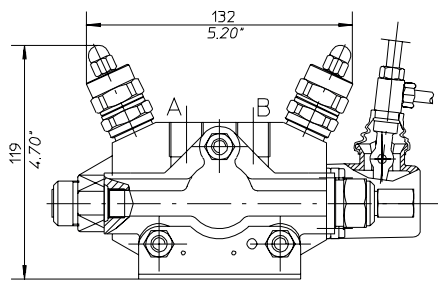
** The maximum operating pressure for each valve series is indicated in the "Technical specification" at the first page of each valve section.

Monoblock- und Selektional-Ventile Monoblocs et sélecteurs de voies

230214

HDS11

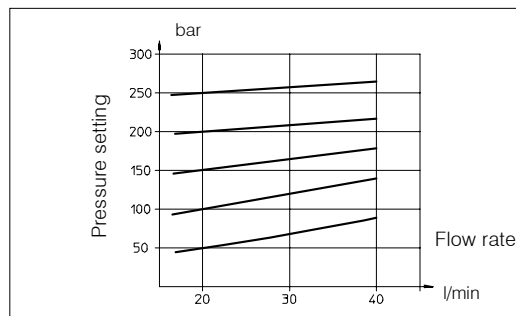
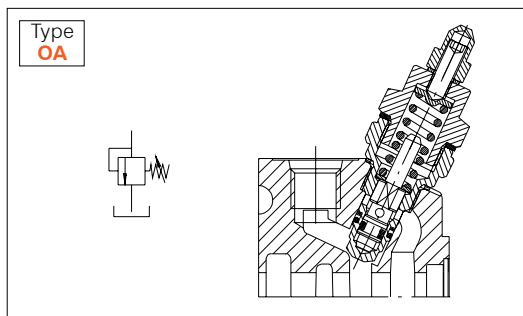
8A.12 Port relief and anti-cavitation valves



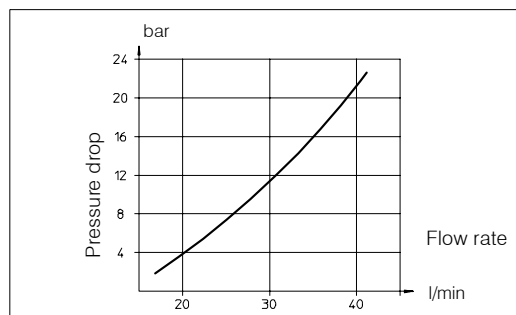
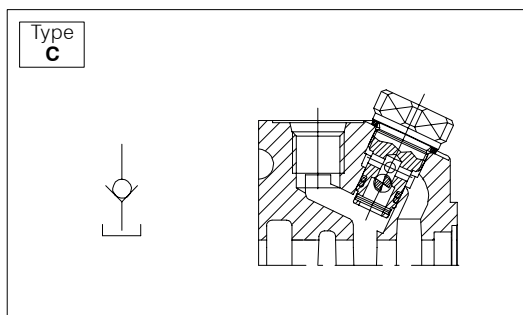
Port relief valve settings

Pressure set range bar (PSI)	Std. Setting bar (PSI)	Type	Spring colour
30 - 130 (400 - 1850)	60 (860)	06	Yellow (YE)
131 - 320 (1850 - 4600)	150 (2100)	15	Green (GR)

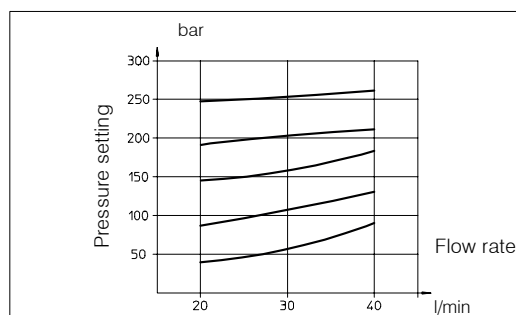
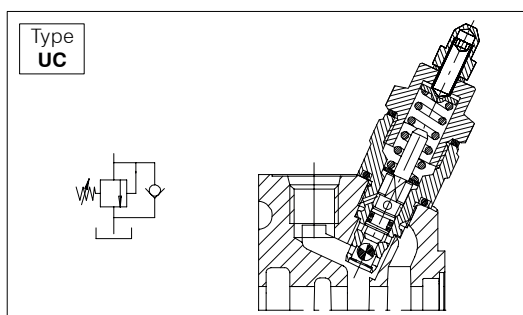
8A.12.1 Port relief valve



8A.12.2 Anti-cavitation valve



8A.12.3 Combined port relief and anti-cavitation valve



Monoblock- und Selektional-Ventile Monoblocs et sélecteurs de voies

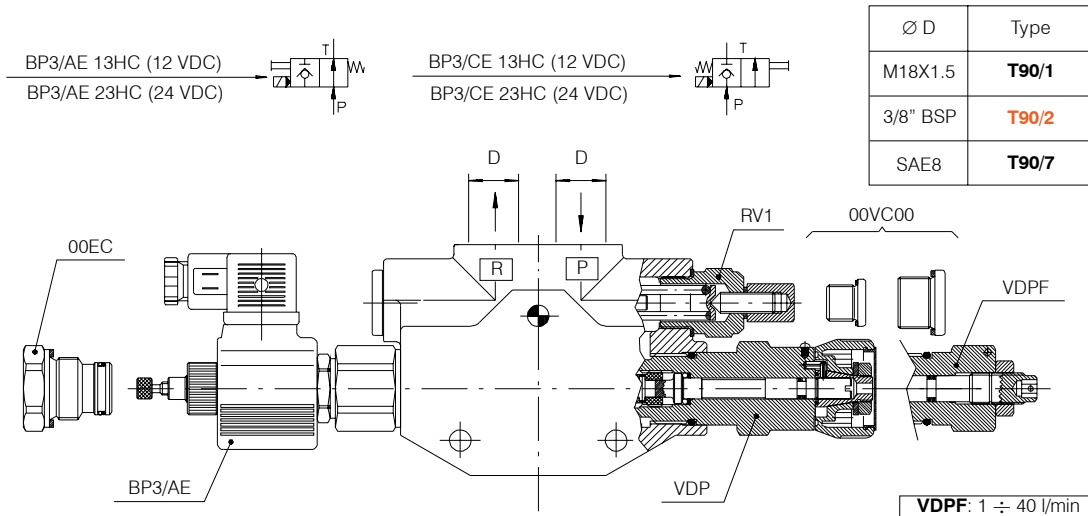
230214

HDS11

8C.7 Inlet cover T90

8C.7.1 Application variation

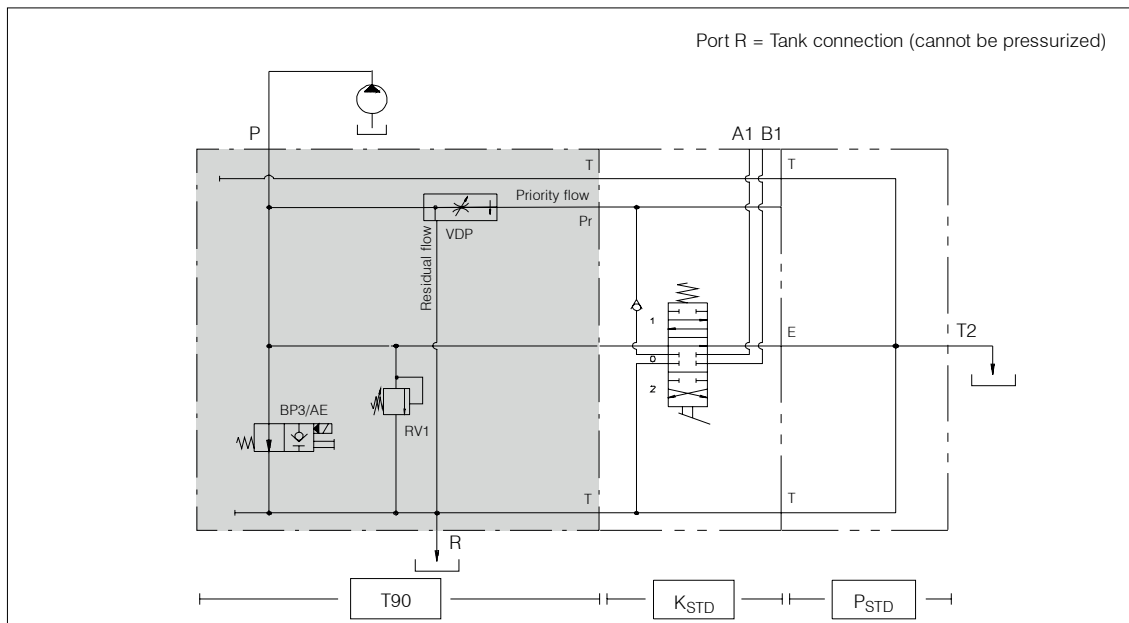
Inlet cover with priority flow divider pressure compensated valve, pressure relief valves and by-pass valve. Excess flow to tank.



Pressure set range (bar)	Standard Setting bar	Relief valves Type
30 ÷ 95	60	RV1 - 06
96 ÷ 210	150	RV1 - 15
211 ÷ 320	260	RV1 - 26

Flow set range (l/min)	Standard Setting l/min	Flow regulator Type
0.5 ÷ 6	6	VDP 06
0.5 ÷ 12	12	VDP 12
0.5 ÷ 25	25	VDP 25
0.5 ÷ 40	40	VDP 40

8C.7.2 Scheme example



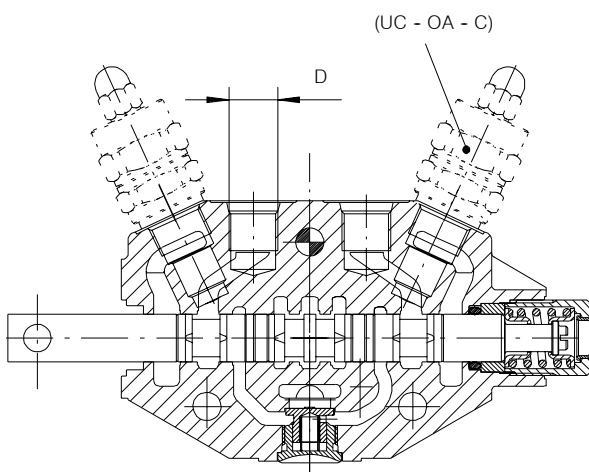
Monoblock- und Selektional-Ventile Monoblocs et sélecteurs de voies

230222

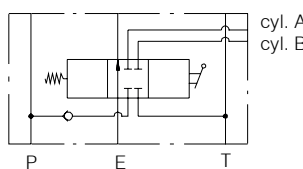
HDS11

8A.7 Sectional bodies

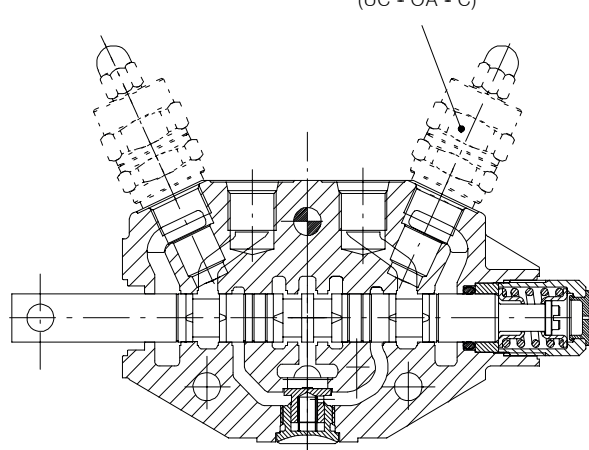
8A.7.1 Standard circuit: parallel



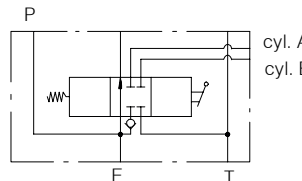
Ø D	Type/Code	
	Standard	Section with valve UC - OA - C
SAE6	K01 200.9413.6051.0	K06 200.9413.6053.0
SAE8	K02 200.9413.7027.0	K07 200.9413.7028.0
3/8" BSP	K04 200.9413.2624.0	K09 200.9413.2625.0
M18X1.5	K05 200.9413.1272.0	K10 200.9413.1273.0



8A.7.2 Optional circuit: series and tandem



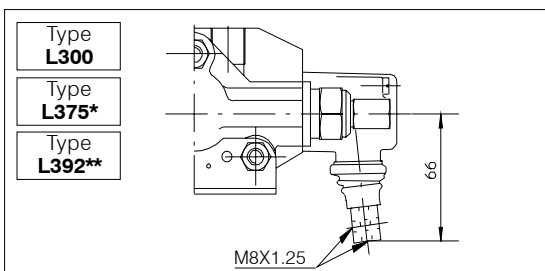
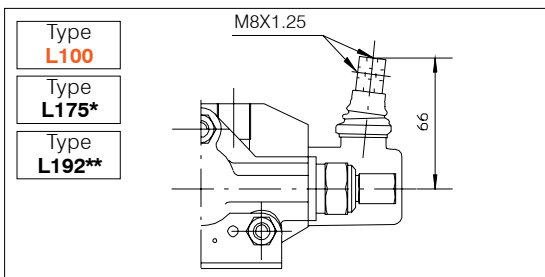
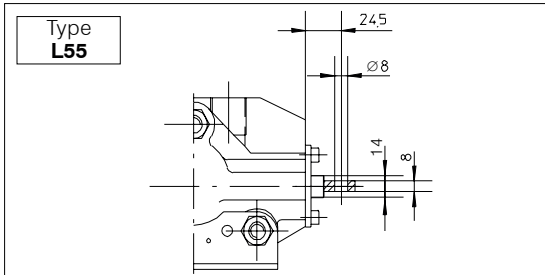
Ø D	Type/Code	
	Standard	Section with valve UC - OA - C
SAE6	K47 200.9413.6052.0	K52 200.9413.6054.0
SAE8	K48 200.9413.7029.0	K53 200.9413.7030.0
3/8" BSP	K50 200.9413.2626.0	K55 200.9413.2627.0
M18X1.5	K51 200.9413.1274.0	K56 200.9413.1275.0



Monoblock- und Selektional-Ventile Monoblocs et sélecteurs de voies

230222

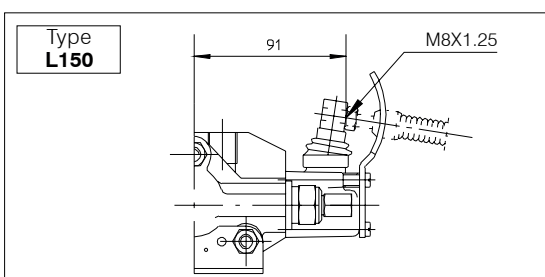
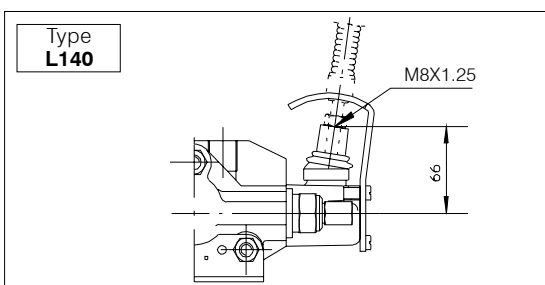
8A.11 Lever styles



*: L175 - L375 only for "Z" spool application

**: L192 - L392 only for "WW" spool application

8A.11.1 Safety levers



Lo		Type	Code
mm	inches		
150	5.90	AL001	200.7022.1019.0
200	7.87	AL002	200.7022.1003.0
250	9.84	AL003	200.7022.1005.0
300	11.81	AL004	200.7022.1006.0

Lo		Type	Code
mm	inches		
160	6.30	AL014	200.7022.1009.0
180	7.08	AL018	200.7022.1011.0

Monoblock- und Selektional-Ventile Monoblocs et sélecteurs de voies

230222

HDS11

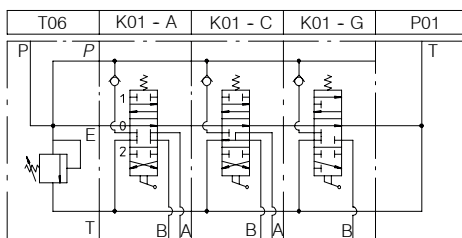
8A.8 Spool charts

Spool scheme	Spool features	Type
	4 way - 3 position A/B closed E open by pass	A AR**
	High metering spool (max flow suggested 15 l/min.)	AS
	4 way - 3 position A/B-E closed	B
	4 way - 3 position A/B to tank in neutral E open by pass	C
	3 way - 3 position B closed E open by pass	G GR**
	4 way - 3 position series connection	X
	4 way - 4 position 4 th floating position	Z ZR**
	4 way - 4 position 4 th floating position	WW *

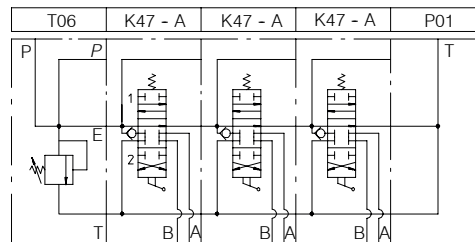
* : "WW" spool require special body (K...), positioner (240) and lever (L192)
** : special body required

8A.9 Hydraulic circuits

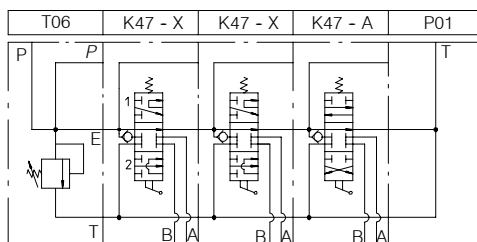
Standard parallel circuit



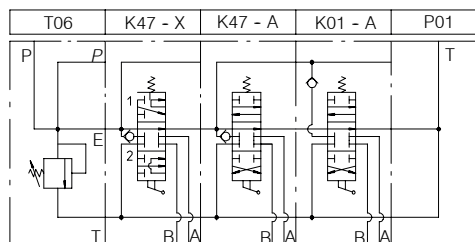
Optional tandem circuit



Optional series circuit



Combined parallel/series circuit



8A.10 Spool positioners

F (N)	Type	Code*
200	01 STD	200.7685.1001.0
140	79	200.7685.1092.0

3 position spring return to neutral

Type	Code*
02	200.7685.3001.0

2 position detent - spring centre

* : code without plastic plug; plastic plug code: 200.6780.0008.0
Code F (N)**: force in Newton (N) needed to operate the spool

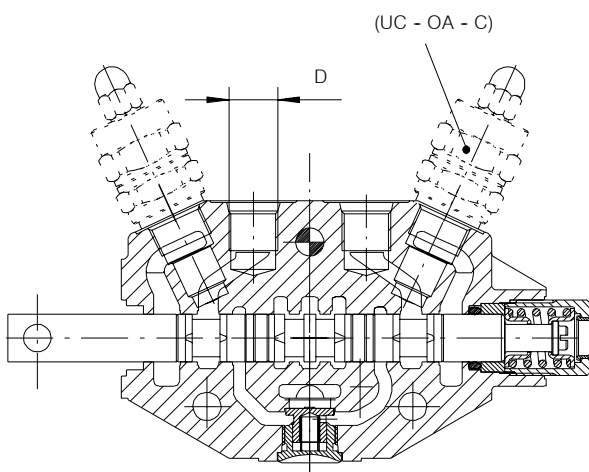
Monoblock- und Selektional-Ventile Monoblocs et sélecteurs de voies

230223

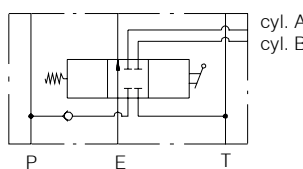
HDS11

8A.7 Sectional bodies

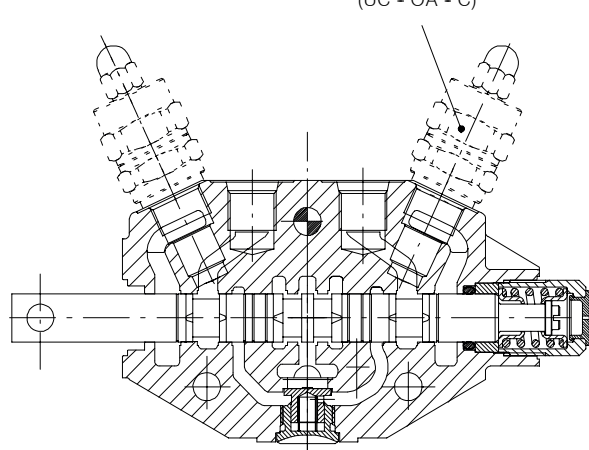
8A.7.1 Standard circuit: parallel



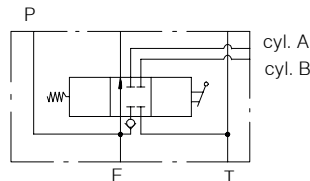
Ø D	Type/Code	
	Standard	Section with valve UC - OA - C
SAE6	K01 200.9413.6051.0	K06 200.9413.6053.0
SAE8	K02 200.9413.7027.0	K07 200.9413.7028.0
3/8" BSP	K04 200.9413.2624.0	K09 200.9413.2625.0
M18X1.5	K05 200.9413.1272.0	K10 200.9413.1273.0



8A.7.2 Optional circuit: series and tandem



Ø D	Type/Code	
	Standard	Section with valve UC - OA - C
SAE6	K47 200.9413.6052.0	K52 200.9413.6054.0
SAE8	K48 200.9413.7029.0	K53 200.9413.7030.0
3/8" BSP	K50 200.9413.2626.0	K55 200.9413.2627.0
M18X1.5	K51 200.9413.1274.0	K56 200.9413.1275.0



Monoblock- und Selektional-Ventile Monoblocs et sélecteurs de voies

230222

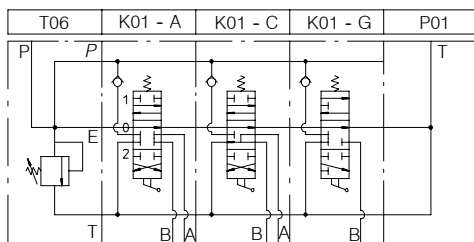
HDS11

8A.8 Spool charts

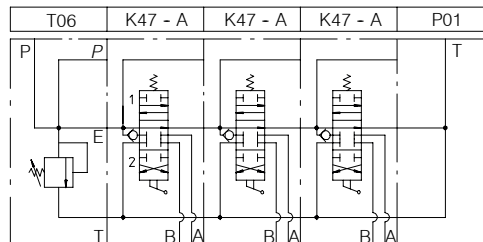
Spool scheme	Spool features	Type
	4 way - 3 position A/B closed E open by pass	A AR**
	High metering spool (max flow suggested 15 l/min.)	AS
	4 way - 3 position A/B-E closed	B
	4 way - 3 position A/B to tank in neutral E open by pass	C
	3 way - 3 position B closed E open by pass	G GR**
	3 way - 3 position A closed E open by pass	S SR**
	4 way - 3 position series connection	X
	4 way - 4 position 4 th floating position	Z ZR**
	4 way - 4 position 4 th floating position	WW *
* : "WW" spool require special body (K...), positioner (240) and lever (L192) ** : special body required		

8A.9 Hydraulic circuits

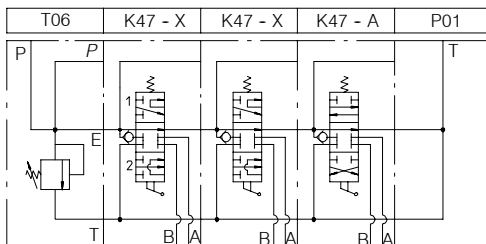
Standard parallel circuit



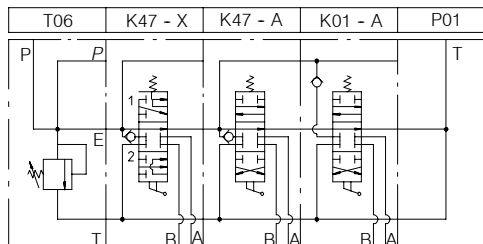
Optional tandem circuit



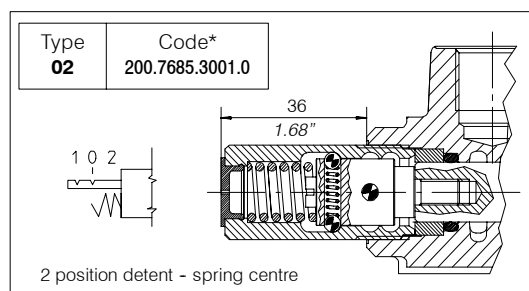
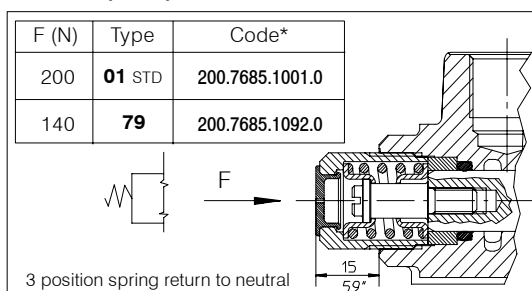
Optional series circuit



Combined parallel/series circuit



8A.10 Spool positioners



* : code without plastic plug; plastic plug code: 200.6780.0008.0
Code F (N)**: force in Newton (N) needed to operate the spool

Monoblock- und Selektional-Ventile Monoblocs et sélecteurs de voies

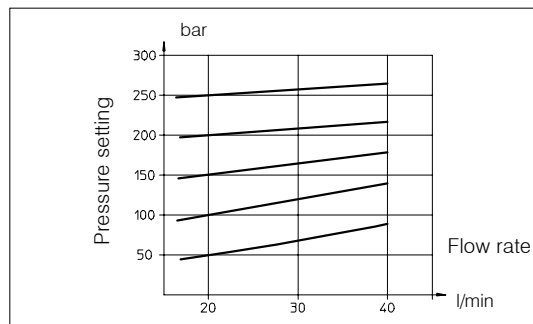
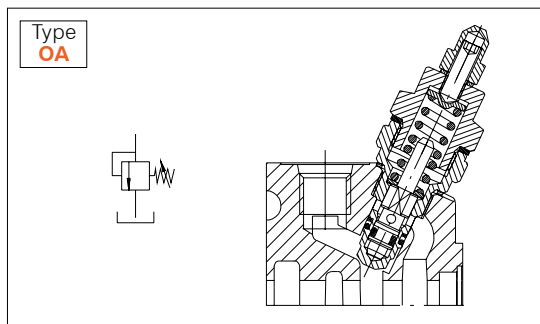
230222

8A.12 Port relief and anti-cavitation valves

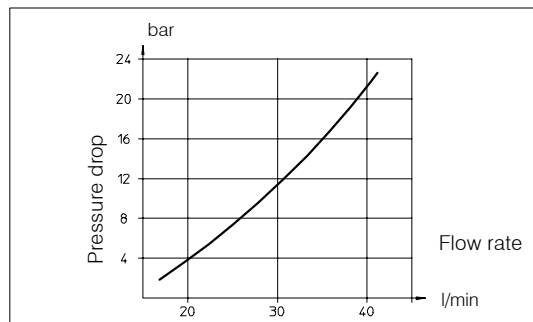
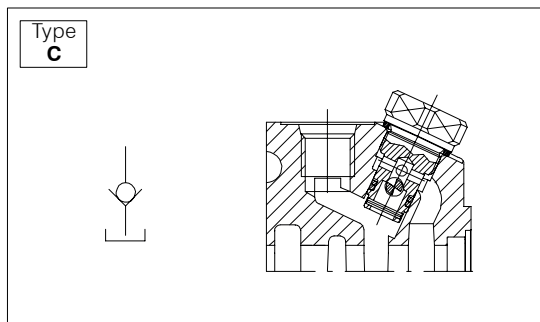
Port relief valve settings

Pressure set range bar (PSI)	Std. Setting bar (PSI)	Type	Spring colour
30 - 130 (400 - 1850)	60 (860)	06	Yellow (YE)
131 - 320 (1850 - 4600)	150 (2100)	15	Green (GR)

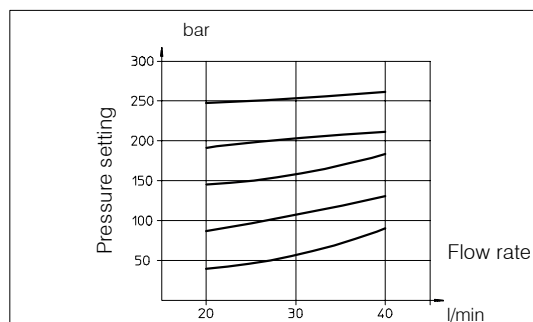
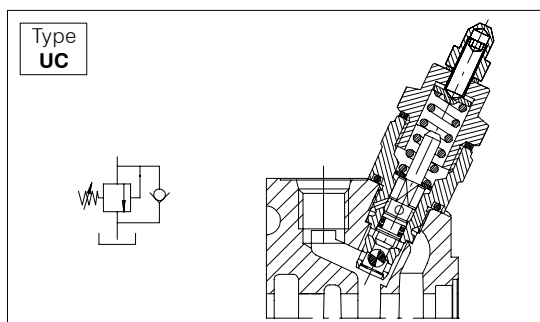
8A.12.1 Port relief valve



8A.12.2 Anti-cavitation valve



8A.12.3 Combined port relief and anti-cavitation valve

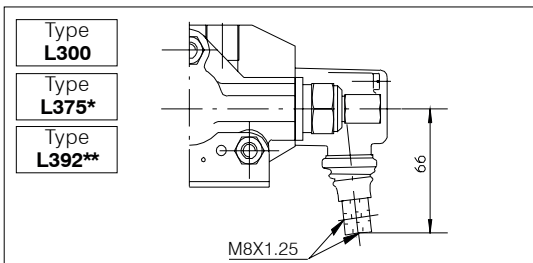
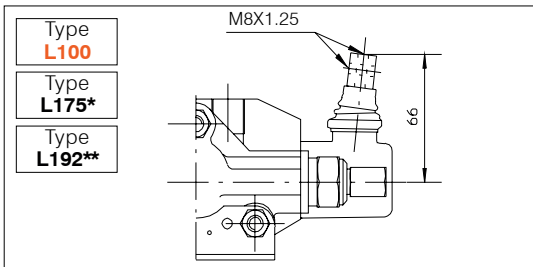
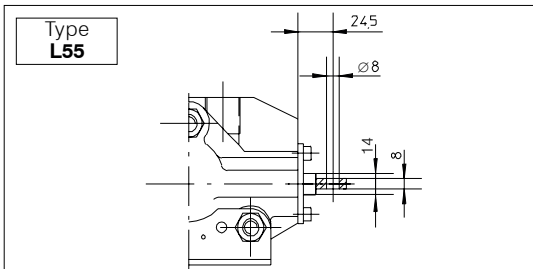


Monoblock- und Selektional-Ventile Monoblocs et sélecteurs de voies

230222

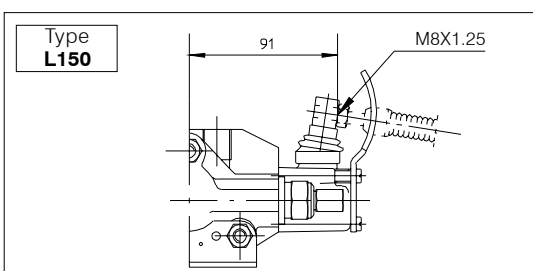
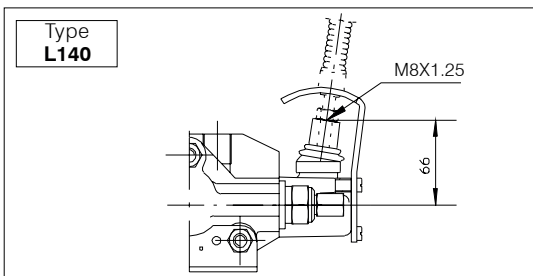
HDS11

8A.11 Lever styles



*: L175 - L375 only for "Z" spool application
 **: L192 - L392 only for "WW" spool application

8A.11.1 Safety levers



Lo		Type	Code
mm	inches		
150	5.90	AL001	200.7022.1019.0
200	7.87	AL002	200.7022.1003.0
250	9.84	AL003	200.7022.1005.0
300	11.81	AL004	200.7022.1006.0

Lo		Type	Code
mm	inches		
160	6.30	AL014	200.7022.1009.0
180	7.08	AL018	200.7022.1011.0

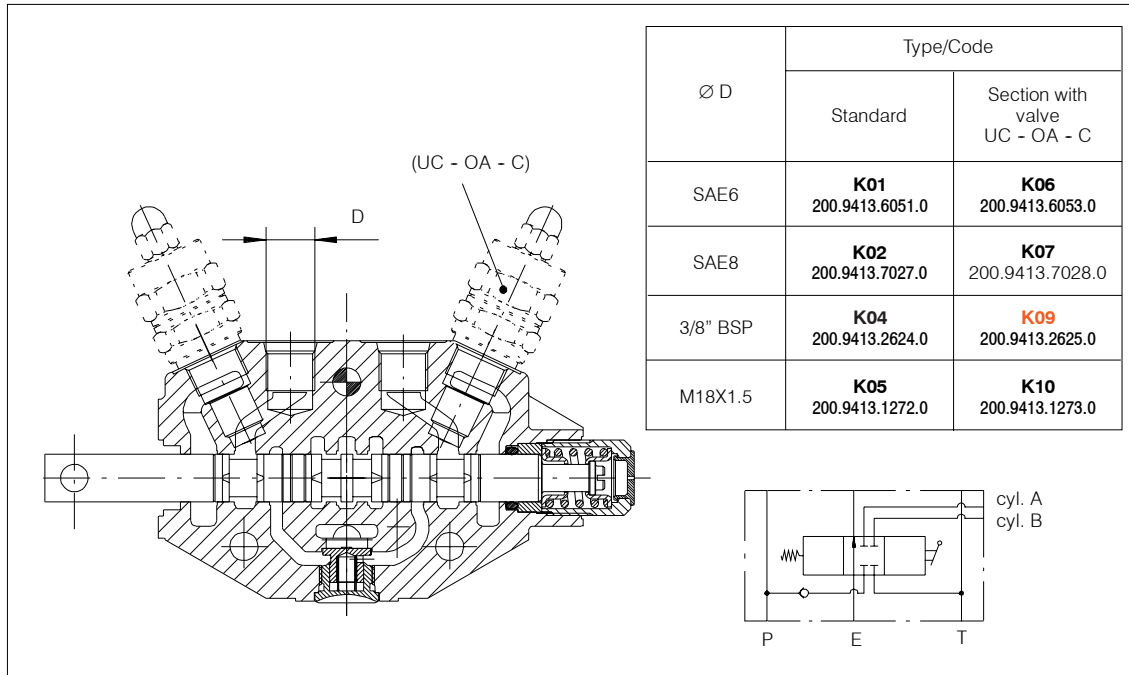
Monoblock- und Selektional-Ventile Monoblocs et sélecteurs de voies

230877

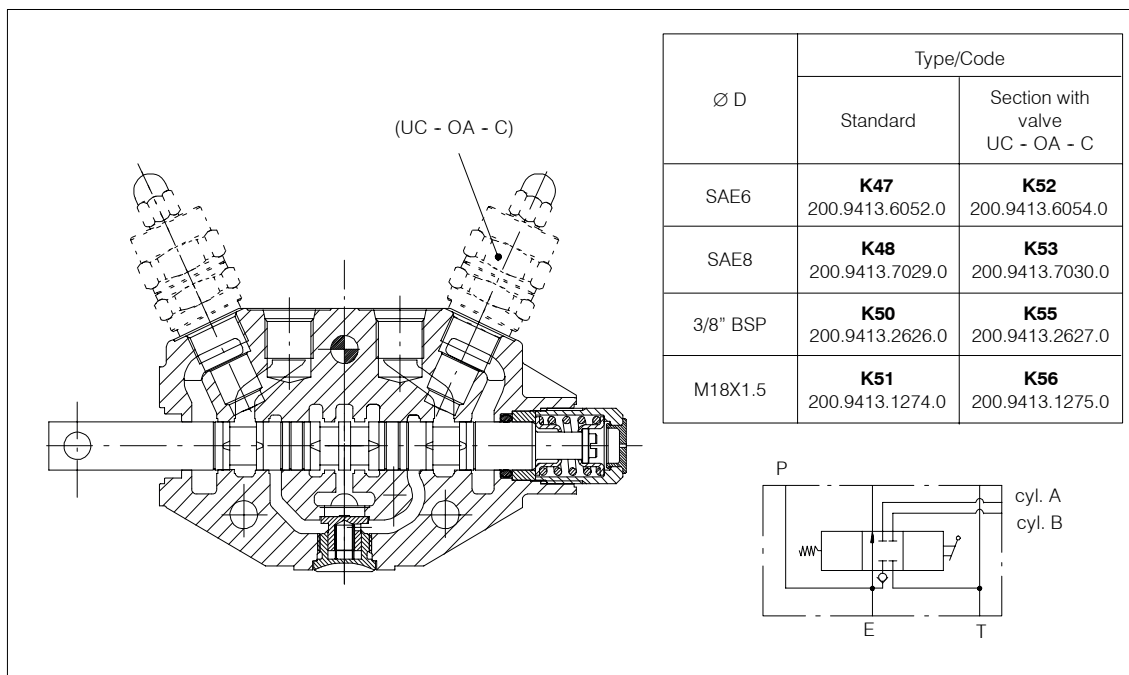
HDS11

8A.7 Sectional bodies

8A.7.1 Standard circuit: parallel



8A.7.2 Optional circuit: series and tandem



Monoblock- und Selektional-Ventile Monoblocs et sélecteurs de voies

230877

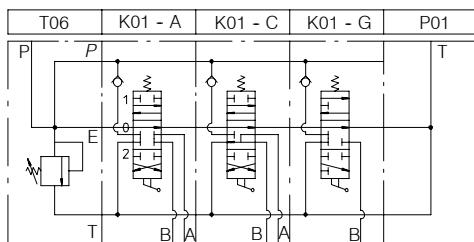
HDS11

8A.8 Spool charts

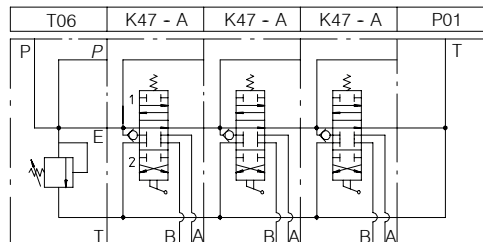
Spool scheme	Spool features	Type
	4 way - 3 position A/B closed E open by pass	A AR**
	High metering spool (max flow suggested 15 l/min.)	AS
	4 way - 3 position A/B-E closed	B
	4 way - 3 position A/B to tank in neutral E open by pass	C
	3 way - 3 position B closed E open by pass	G GR**
	3 way - 3 position A closed E open by pass	S SR**
	4 way - 3 position series connection	X
	4 way - 4 position 4 th floating position	Z ZR**
	4 way - 4 position 4 th floating position	WW *
<p>*: "WW" spool require special body (K...), positioner (240) and lever (L192) **: special body required</p>		

8A.9 Hydraulic circuits

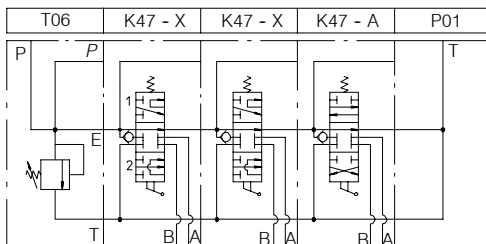
Standard parallel circuit



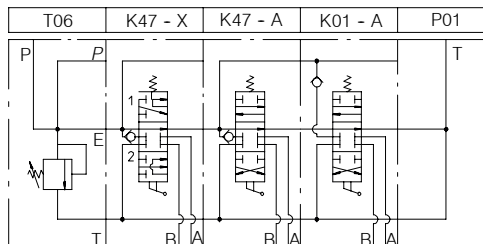
Optional tandem circuit



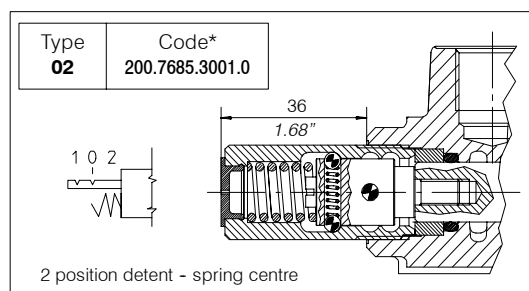
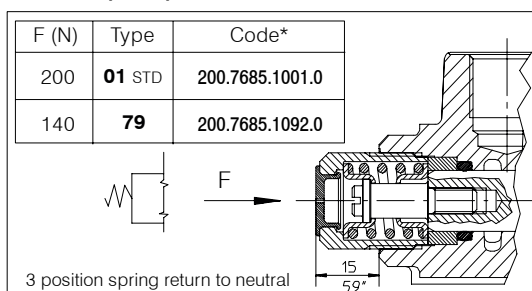
Optional series circuit



Combined parallel/series circuit



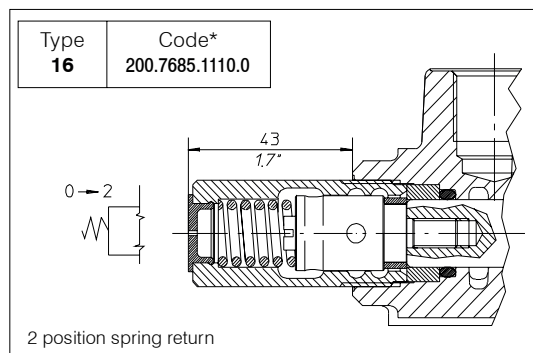
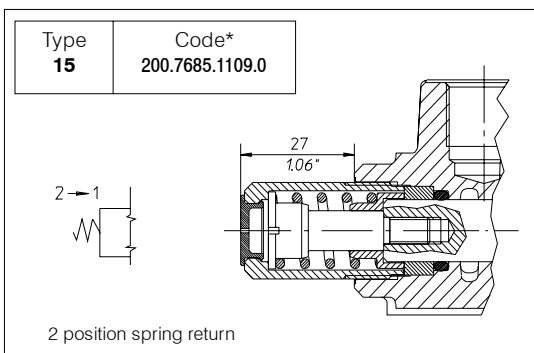
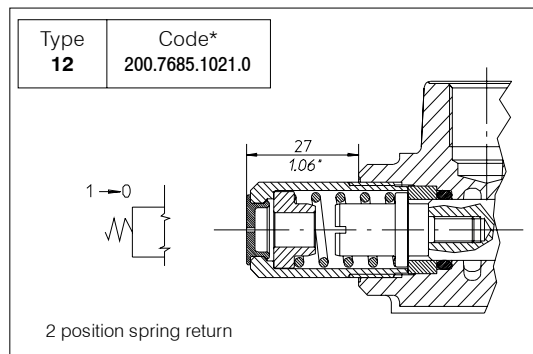
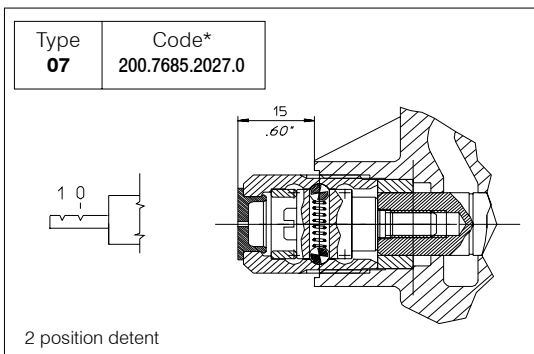
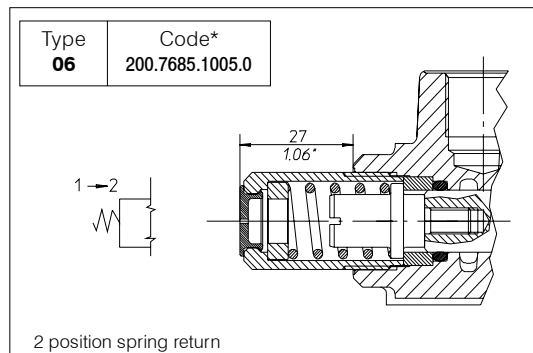
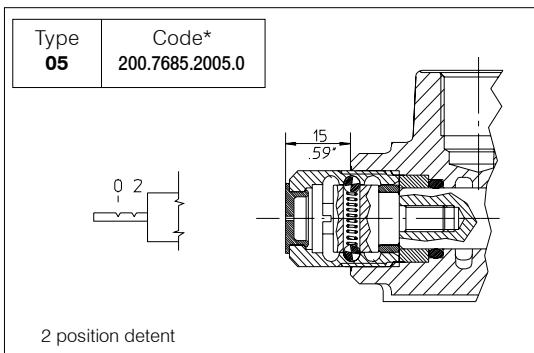
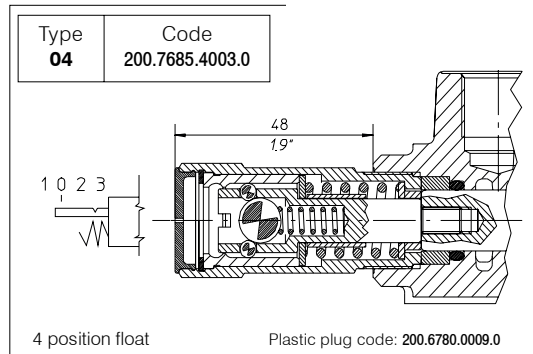
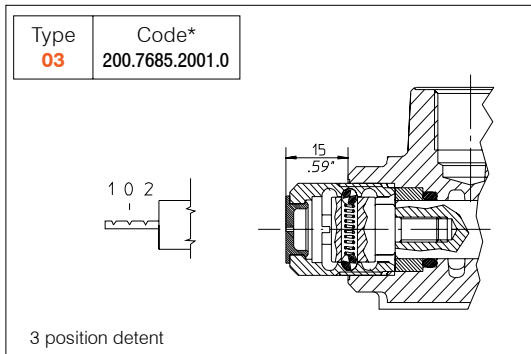
8A.10 Spool positioners



*: code without plastic plug; plastic plug code: 200.6780.0008.0
 Code F (N)**: force in Newton (N) needed to operate the spool

Monoblock- und Selektional-Ventile Monoblocs et sélecteurs de voies

230877



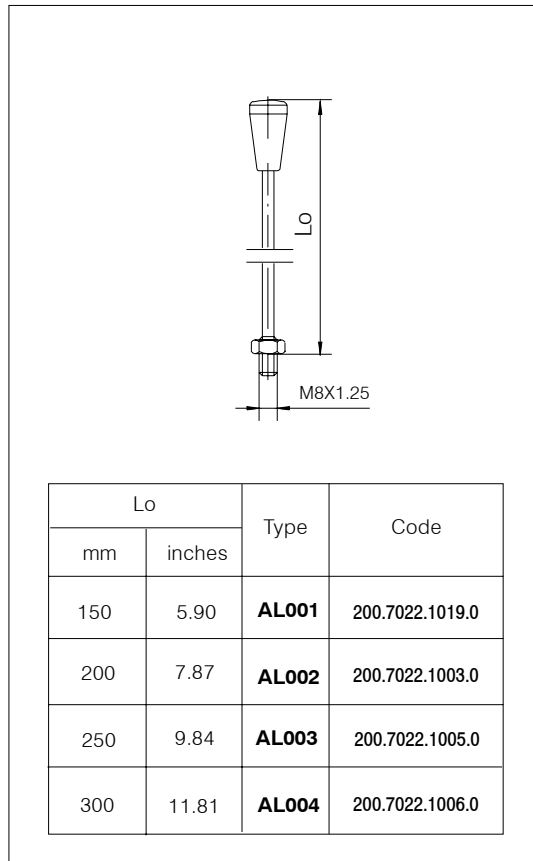
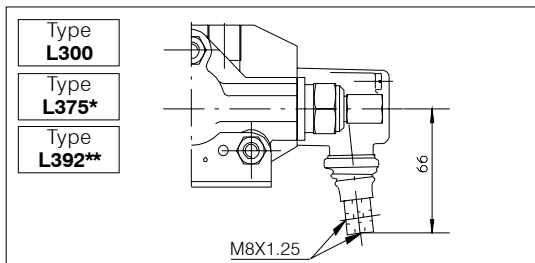
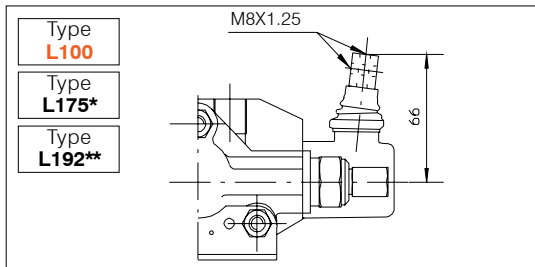
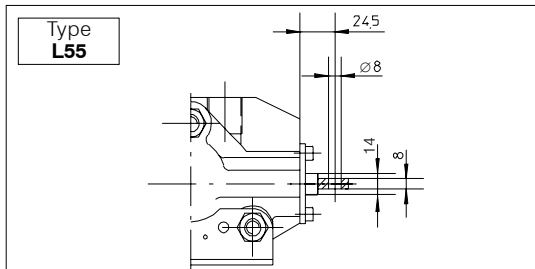
* : code without plastic plug; plastic plug code: 200.6780.0008.0

Monoblock- und Selektional-Ventile Monoblocs et sélecteurs de voies

230877

HDS11

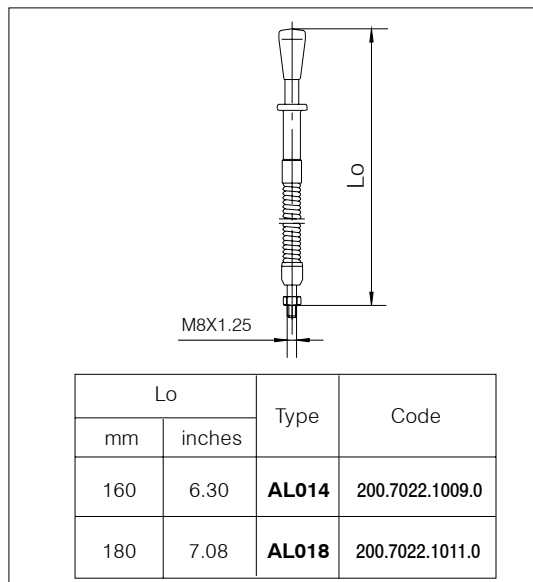
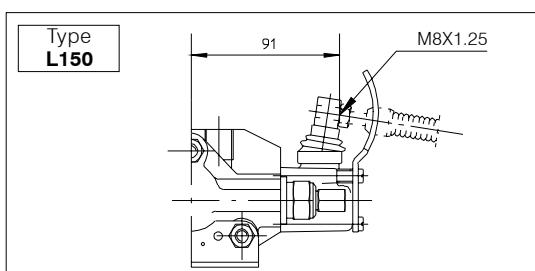
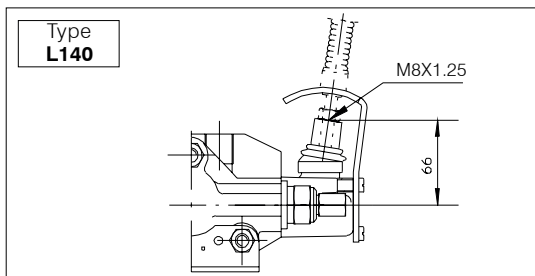
8A.11 Lever styles



*: L175 - L375 only for "Z" spool application

**: L192 - L392 only for "WW" spool application

8A.11.1 Safety levers

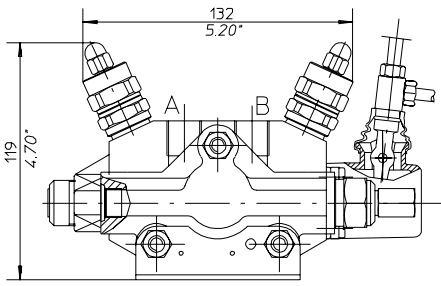


Monoblock- und Selektional-Ventile Monoblocs et sélecteurs de voies

230877

HDS11

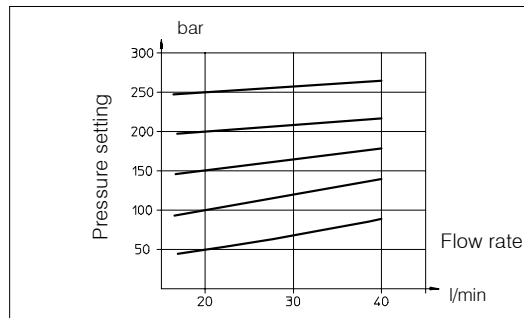
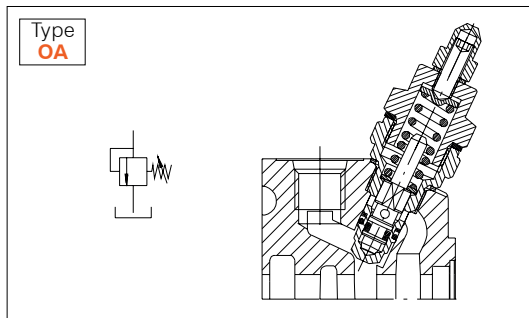
8A.12 Port relief and anti-cavitation valves



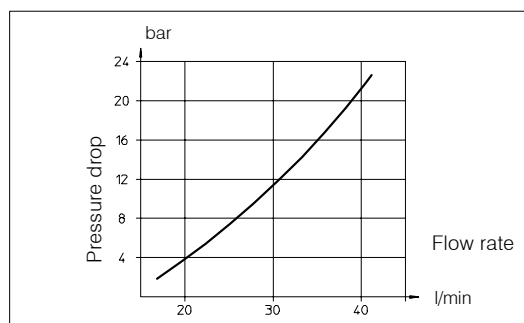
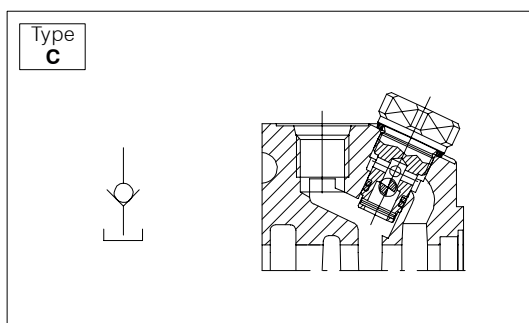
Port relief valve settings

Pressure set range bar (PSI)	Std. Setting bar (PSI)	Type	Spring colour
30 - 130 (400 - 1850)	60 (860)	06	Yellow (YE)
131 - 320 (1850 - 4600)	150 (2100)	15	Green (GR)

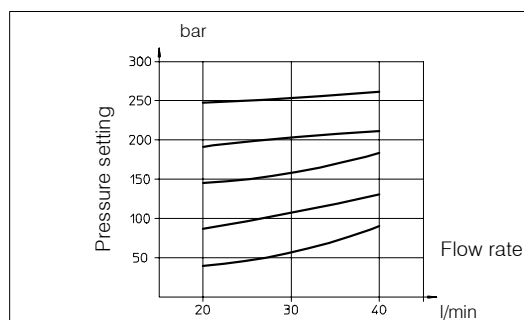
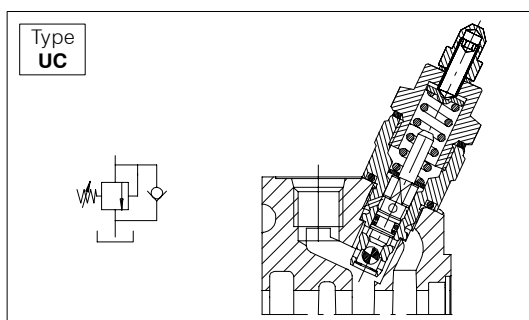
8A.12.1 Port relief valve



8A.12.2 Anti-cavitation valve



8A.12.3 Combined port relief and anti-cavitation valve



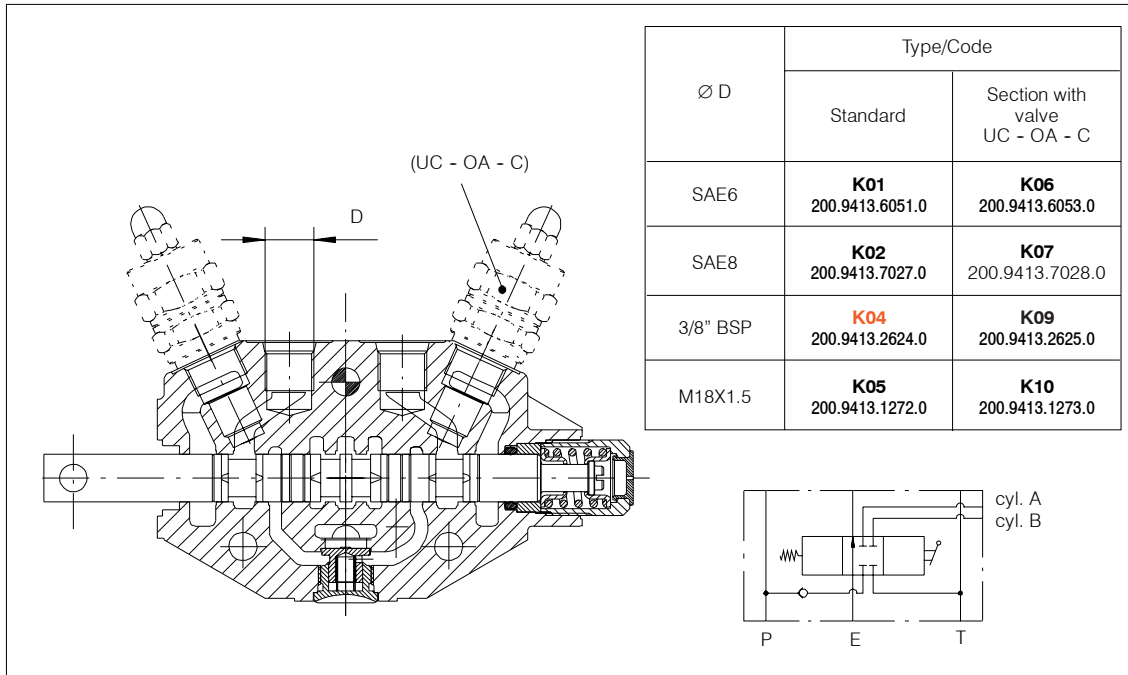
Monoblock- und Selektional-Ventile Monoblocs et sélecteurs de voies

230224

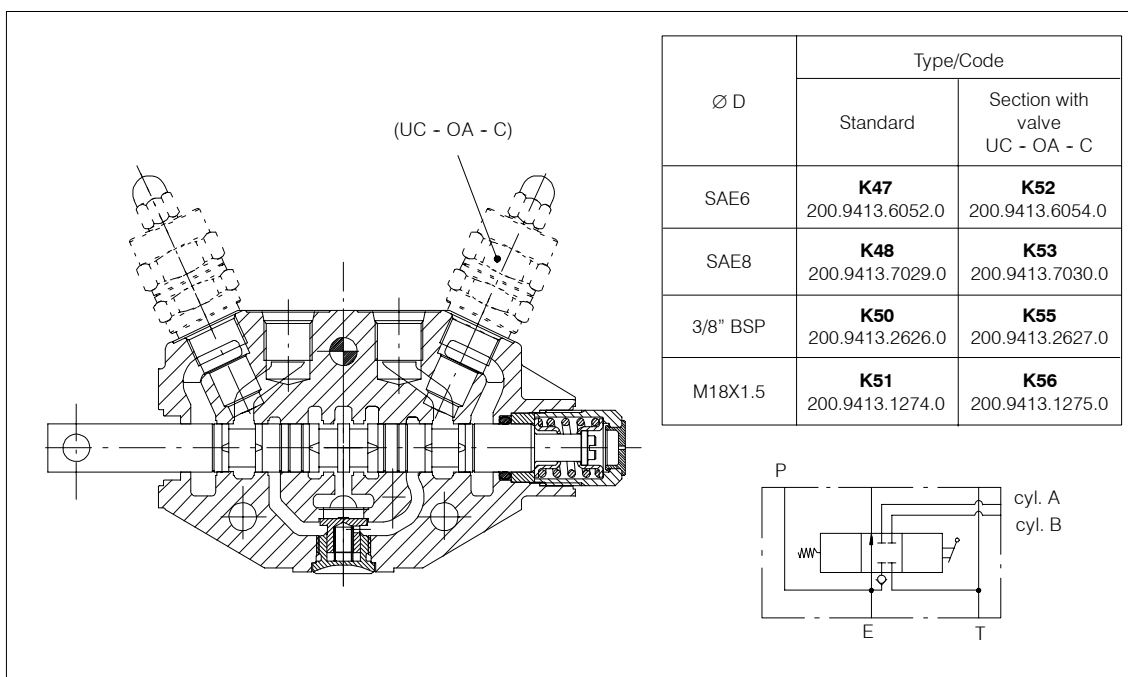
HDS11

8A.7 Sectional bodies

8A.7.1 Standard circuit: parallel



8A.7.2 Optional circuit: series and tandem



Monoblock- und Selektional-Ventile Monoblocs et sélecteurs de voies

230224

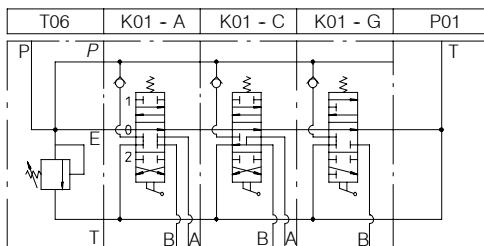
8A.8 Spool charts

Spool scheme	Spool features	Type	
	4 way - 3 position A/B closed E open by pass	A AR**	
	High metering spool (max flow suggested 15 l/min.)	AS	
	4 way - 3 position A/B-E closed	B	
	4 way - 3 position A/B to tank in neutral E open by pass	C	
	3 way - 3 position B closed E open by pass	G GR**	

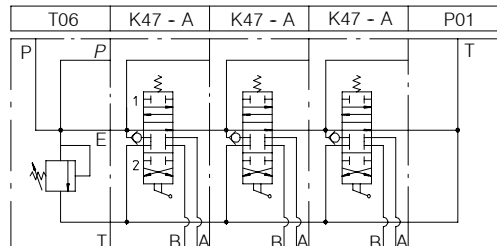
* : "WW" spool require special body (K...), positioner (240) and lever (L192)
** : special body required

8A.9 Hydraulic circuits

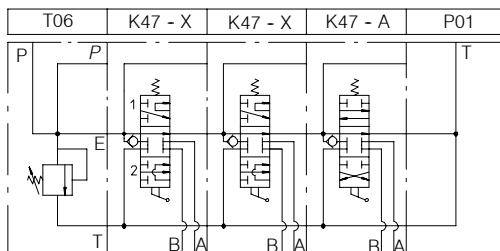
Standard parallel circuit



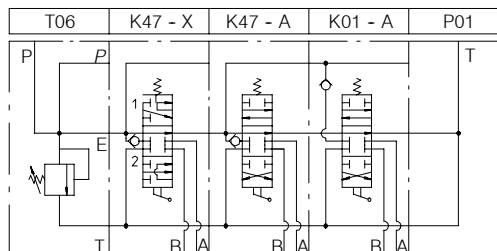
Optional tandem circuit



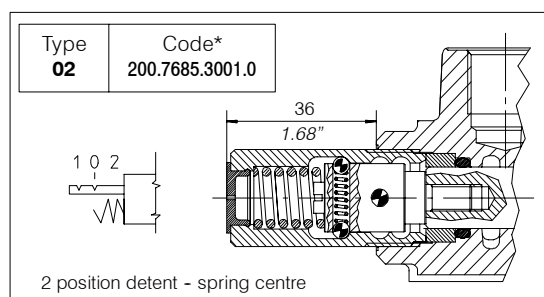
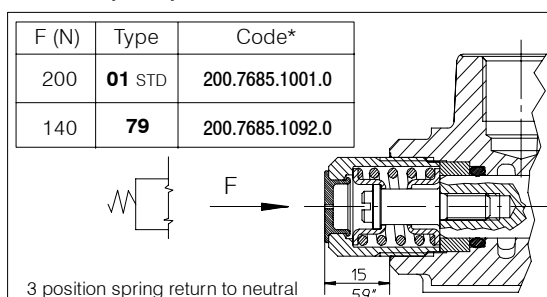
Optional series circuit



Combined parallel/series circuit



8A.10 Spool positioners



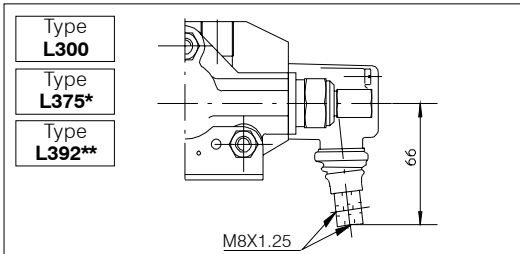
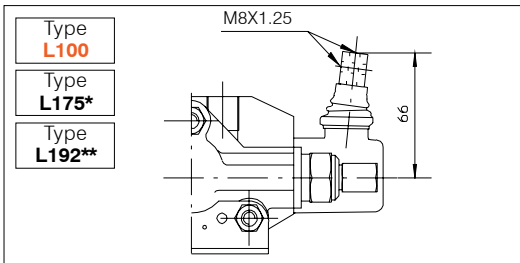
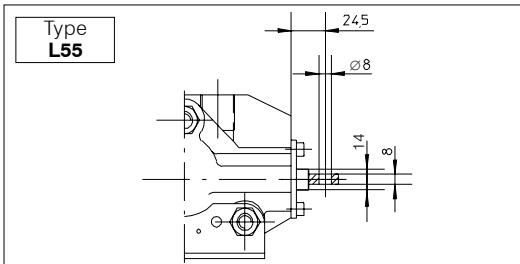
* : code without plastic plug; plastic plug code: 200.6780.0008.0
Code F (N)**: force in Newton (N) needed to operate the spool

Monoblock- und Selektional-Ventile Monoblocs et sélecteurs de voies

230224

HDS11

8A.11 Lever styles

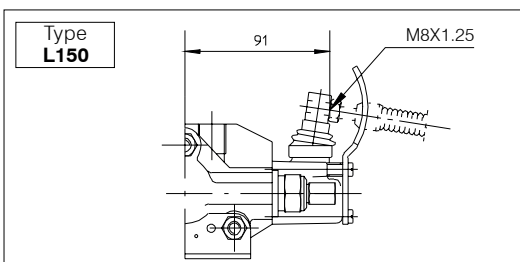
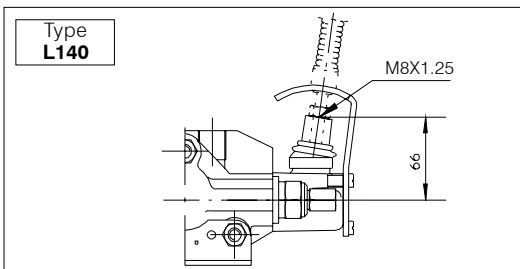


Lo		Type	Code
mm	inches		
150	5.90	AL001	200.7022.1019.0
200	7.87	AL002	200.7022.1003.0
250	9.84	AL003	200.7022.1005.0
300	11.81	AL004	200.7022.1006.0

*: L175 - L375 only for "Z" spool application

** : L192 - L392 only for "WW" spool application

8A.11.1 Safety levers



Lo		Type	Code
mm	inches		
160	6.30	AL014	200.7022.1009.0
180	7.08	AL018	200.7022.1011.0

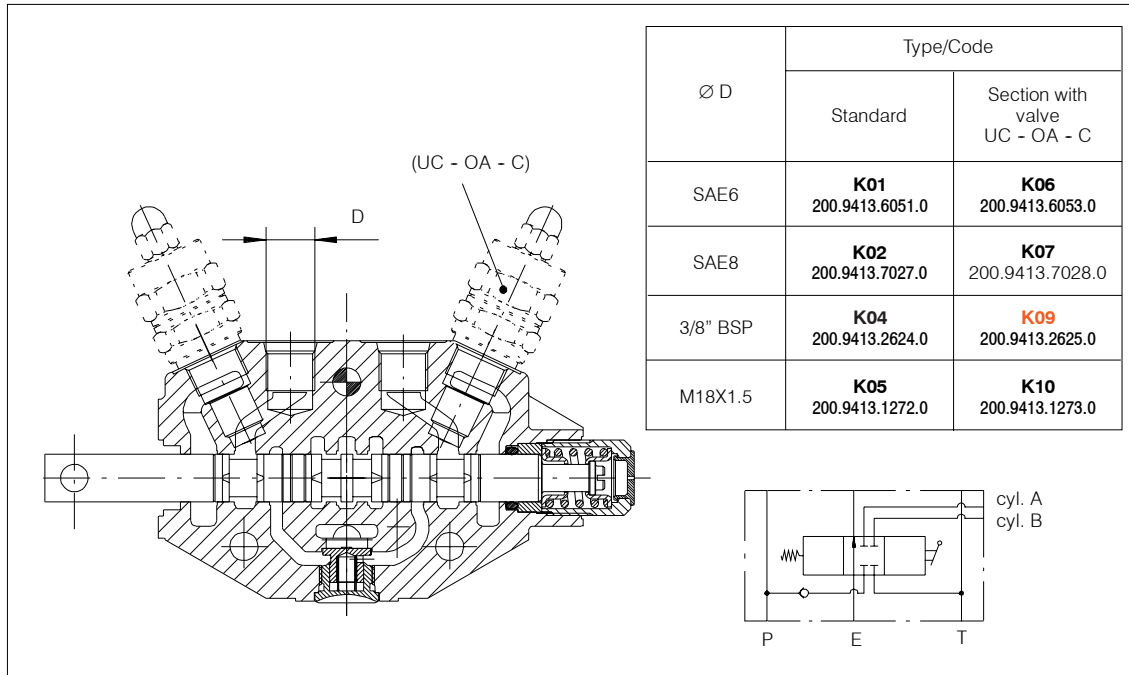
Monoblock- und Selektional-Ventile Monoblocs et sélecteurs de voies

230225

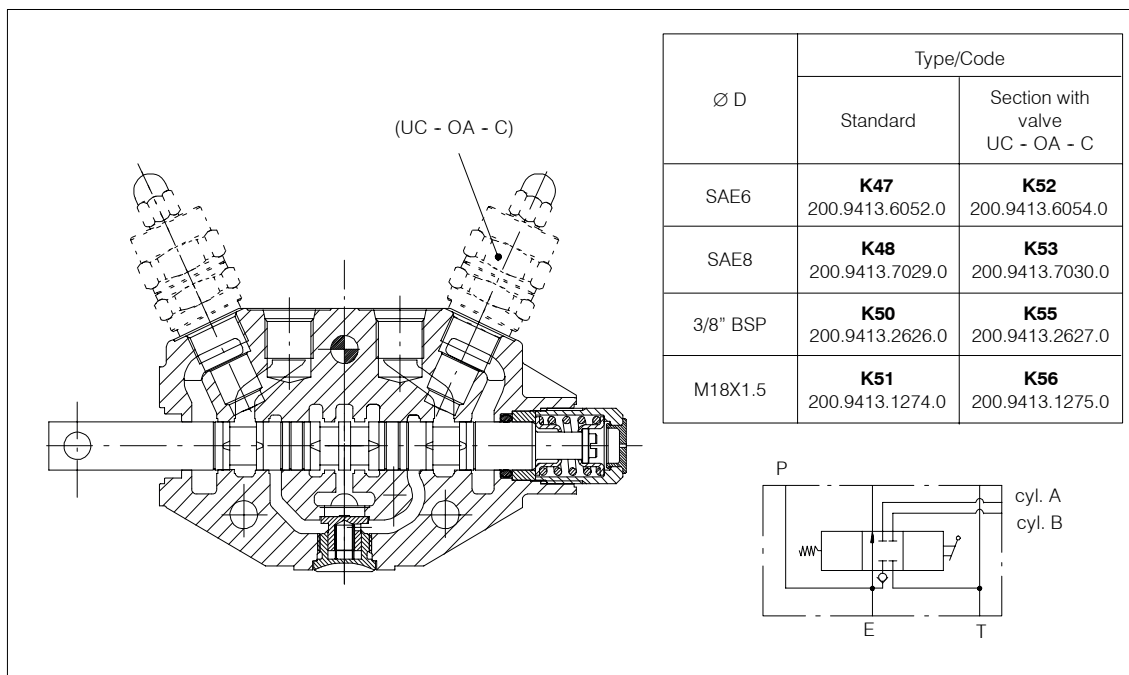
HDS11

8A.7 Sectional bodies

8A.7.1 Standard circuit: parallel



8A.7.2 Optional circuit: series and tandem



Monoblock- und Selektional-Ventile Monoblocs et sélecteurs de voies

230225

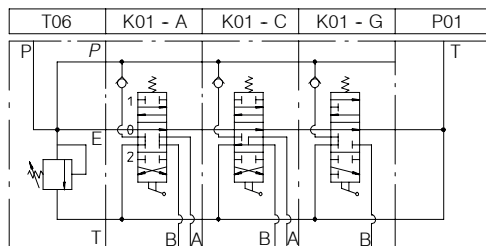
8A.8 Spool charts

Spool scheme	Spool features	Type	
	4 way - 3 position A/B closed E open by pass	A AR**	
	High metering spool (max flow suggested 15 l/min.)	AS	
	4 way - 3 position A/B-E closed	B	
	4 way - 3 position A/B to tank in neutral E open by pass	C	
	3 way - 3 position B closed E open by pass	G GR**	

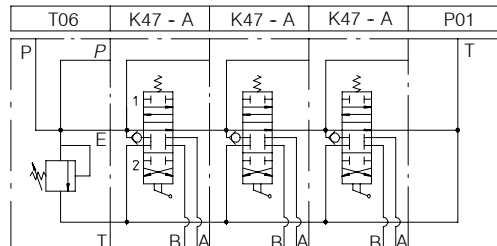
* : "WW" spool require special body (K...), positioner (240) and lever (L192)
** : special body required

8A.9 Hydraulic circuits

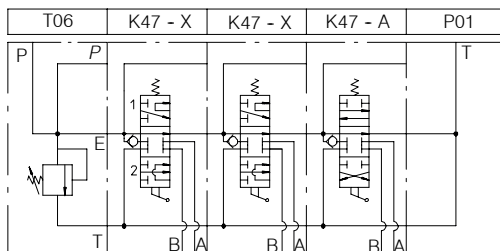
Standard parallel circuit



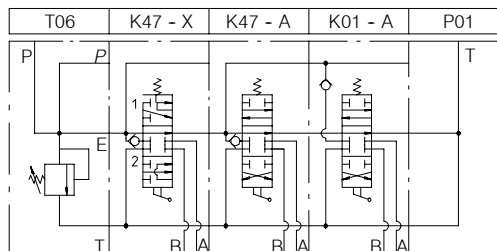
Optional tandem circuit



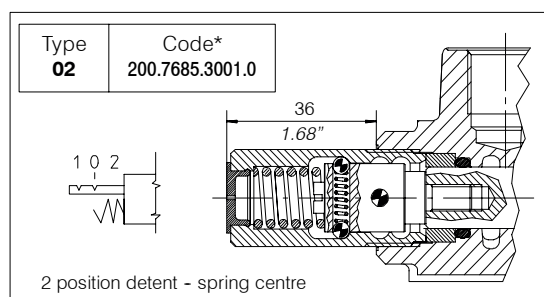
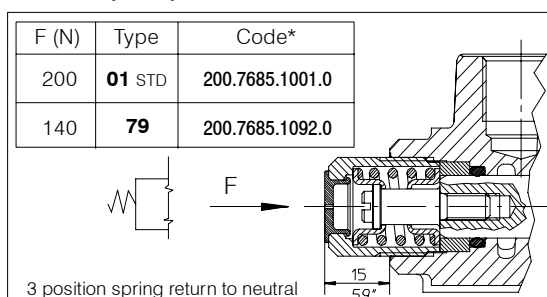
Optional series circuit



Combined parallel/series circuit



8A.10 Spool positioners



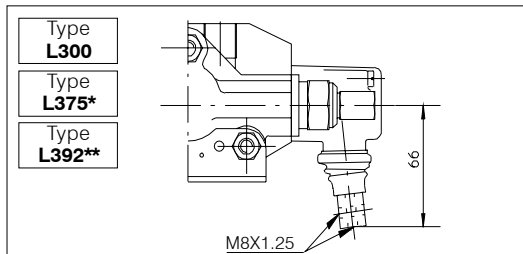
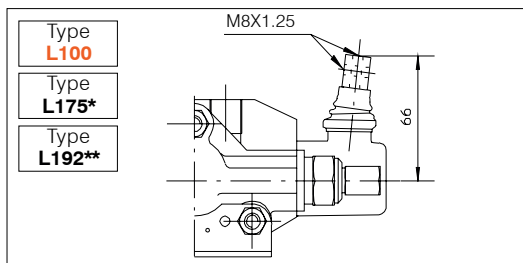
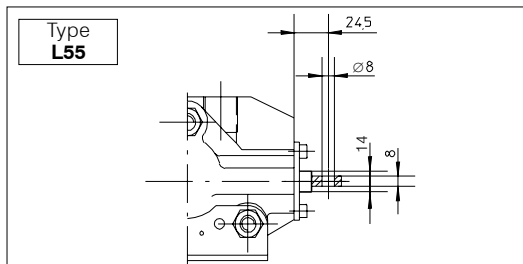
* : code without plastic plug; plastic plug code: 200.6780.0008.0
Code F (N)**: force in Newton (N) needed to operate the spool

Monoblock- und Selektional-Ventile Monoblocs et sélecteurs de voies

230225

HDS11

8A.11 Lever styles

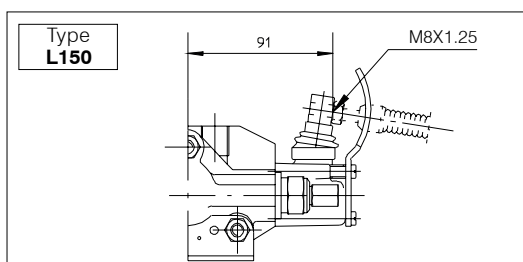
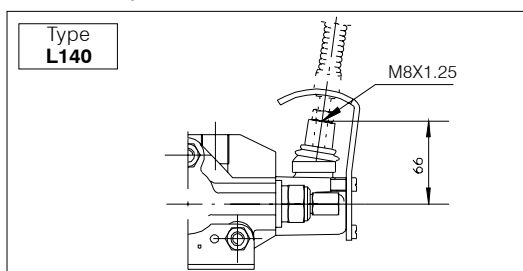


Lo		Type	Code
mm	inches		
150	5.90	AL001	200.7022.1019.0
200	7.87	AL002	200.7022.1003.0
250	9.84	AL003	200.7022.1005.0
300	11.81	AL004	200.7022.1006.0

*: L175 - L375 only for "Z" spool application

** : L192 - L392 only for "WW" spool application

8A.11.1 Safety levers



Lo		Type	Code
mm	inches		
160	6.30	AL014	200.7022.1009.0
180	7.08	AL018	200.7022.1011.0

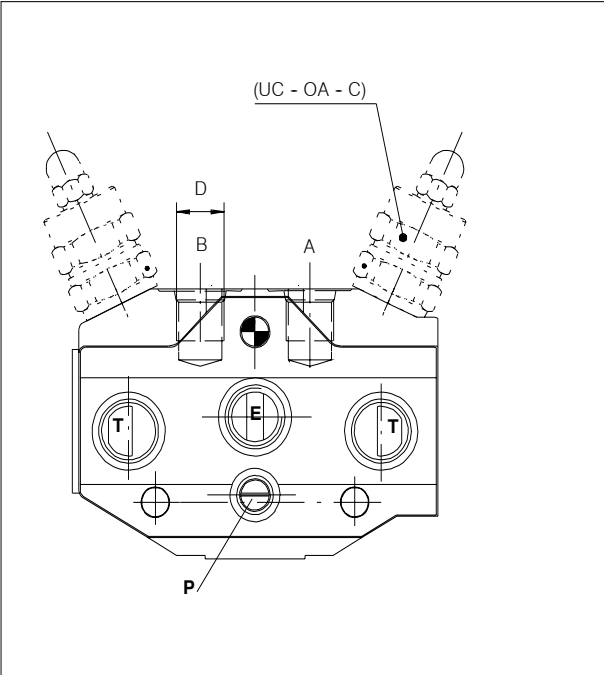
Monoblock- und Selektional-Ventile Monoblocs et sélecteurs de voies

230226

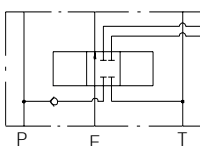
HDS11

8B.5 Sectional bodies

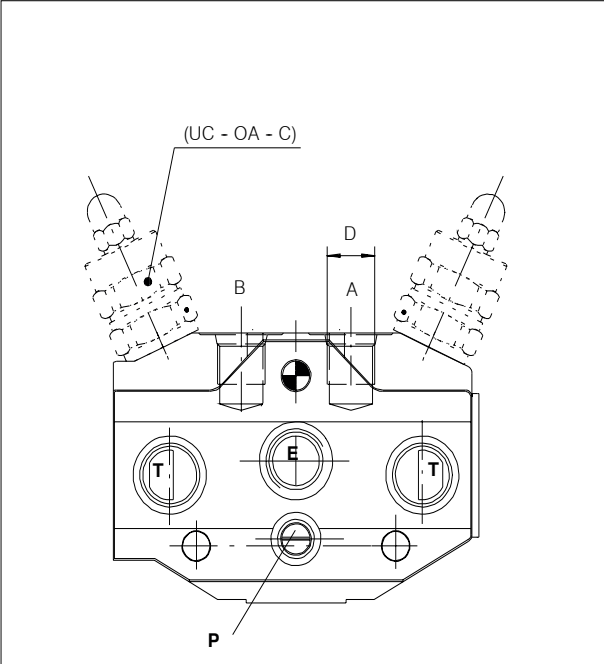
8B.5.1 Standard circuit: parallel



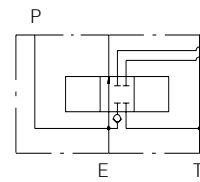
Ø D	Type/Code	
	Standard	Section with valve UC- OA- C
SAE6	K201 200.9413.6055.0	K211 200.9413.6060.0
SAE8	K202 200.9413.7031.0	K212 200.9413.7032.0
3/8" BSP	K204 200.9413.2628.0	K214 200.9413.2629.0
M18X1.5	K205 200.9413.1276.0	K215 200.9413.1277.0


 cyl. A
cyl. B

8B.5.2 Optional circuit: series and tandem



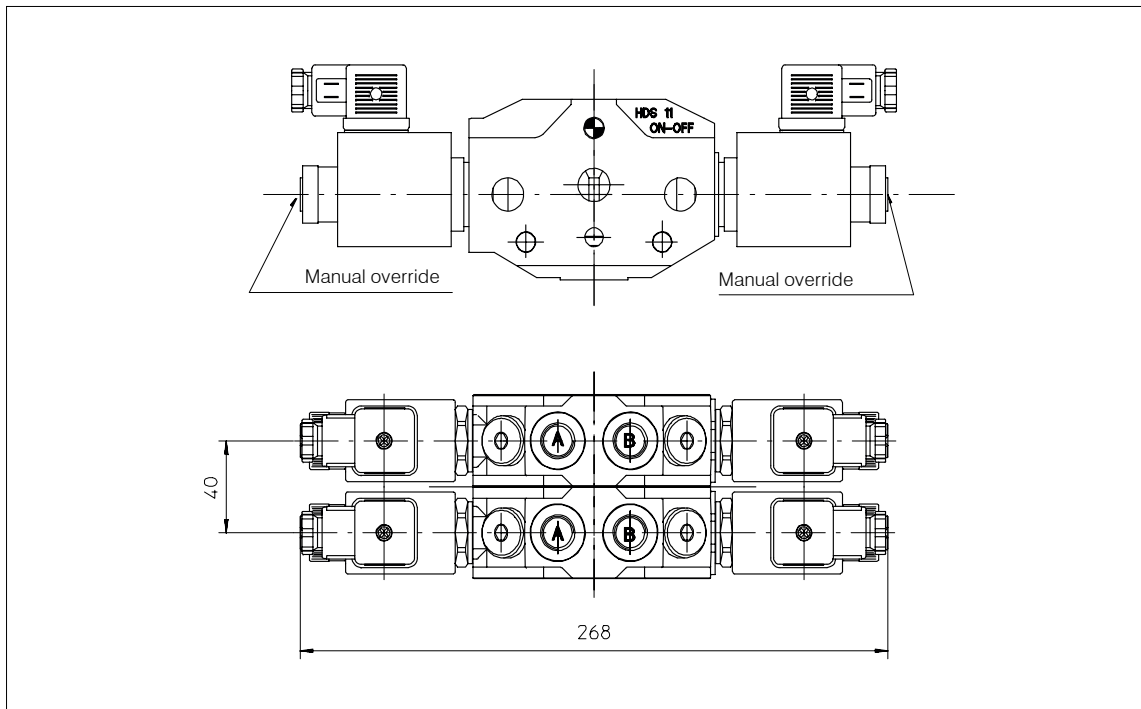
Ø D	Type/Code	
	Standard	Section with valve UC- OA- C
SAE6	K247 200.9413.6066.0	K252 200.9413.6070.0
SAE8	K248 200.9413.7039.0	K253 200.9413.7042.0
3/8" BSP	K250 200.9413.2042.0	K255 200.9413.2036.0
M18X1.5	K251 200.9413.1034.0	K256 200.9413.1037.0


 cyl. A
cyl. B

Monoblock- und Selektional-Ventile Monoblocs et sélecteurs de voies

230226

HDS11



8B.6 Spool charts

Spool scheme	Spool features	Type
	4 way - 3 position A/B closed E open by pass	AE
	4 way - 3 position A/B-E closed	BE
	4 way - 3 position A/B to tank in neutral E open by pass	CE
	4 way - 3 position A closed B to tank in neutral	DE
	3 way - 3 position B closed E open by pass	GE
	4 way - 3 position B closed A to tank in neutral	LE
	3 way - 3 position A closed E open by pass	SE

	4 way - 3 position A/B closed series connection	XE*
	4 way - 3 position A/B to tank in neutral series connection	XCE*
	4 way - 3 position A/B closed Load Sensing	LAE**
	4 way - 3 position A/B to tank in neutral Load Sensing	LCE**
	3 way - 3 position B closed Load Sensing	LGE**
	3 way - 3 position A closed Load Sensing	LSE**

* series body required
** special body required

Note: For availability of L/S versions please contact our Sales Department

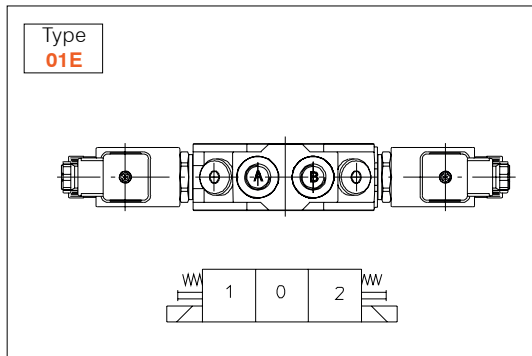
Monoblock- und Selektional-Ventile Monoblocs et sélecteurs de voies

230226

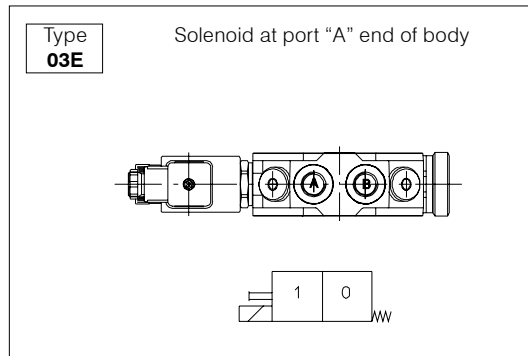
HDS11

8B.7 Spool actions

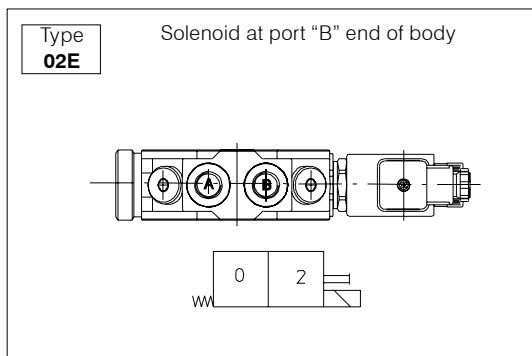
8B.7.1 Double-Solenoid spring-centered valves



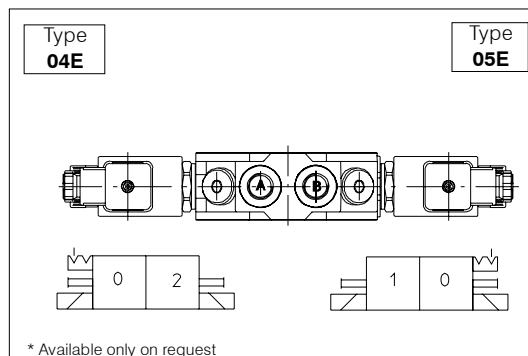
8B.7.3 Single Solenoid spring offset valves



8B.7.2 Single Solenoid spring offset valves



8B.7.4 Double Solenoid, two detent position valves*



* Available only on request

8B.8 4th Floating position

8B.8.1 Main features

Max operating pressure: 250 bar
Max admitted flow: 35 l/min

Average leakage: 30 cm³/min (100 bar, 50°C, 27 mm²s⁻¹)
Solenoid power: 48 Watt (12-24 Vdc)

8B.8.2 General specification

- Pressure drops with 35 lt/min:
Pos 0
P ⇒ T 2 bar

Pos 1 and 2
P ⇒ A / P ⇒ B 9 bar
B ⇒ T / A ⇒ T 5.5 bar

Pos 3 (4th floating position)
A ⇒ T / B ⇒ T 12.5 bar

- In case the directional control valve consists of 2 or more sections, we suggest to position the section (or the sections) with 4th floating position as last section in the pack close to the "T" outlet cover.
- In the electric 4th floating position it is necessary to use always the cover with "T" side outlet (ex. P04, P05, etc.)
- To be used, if possible, in circuits without the carry-over version (on the contrary please contact our Sales Department)
- The 4th floating position must always be realized as from the "0" neutral position with both solenoids not energized.
- It is not possible to have versions with OA-C-UC valves with the 4th floating position section.

- Parallel circuit, electric operated
- Compatible for assembling on HDS11 valve series
- Intermediate spacers 15 mm width needed

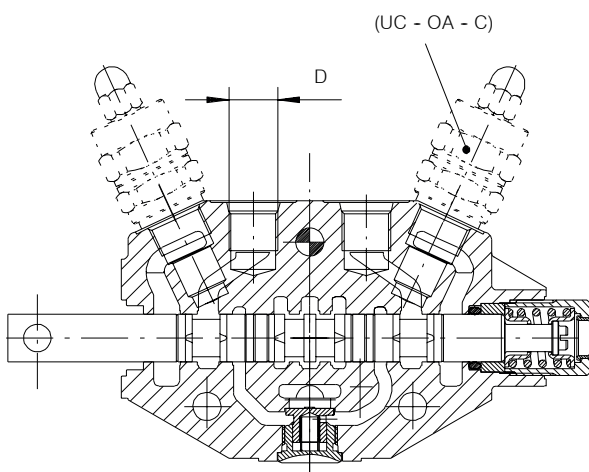
Monoblock- und Selektional-Ventile Monoblocs et sélecteurs de voies

230227

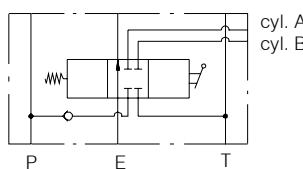
HDS11

8A.7 Sectional bodies

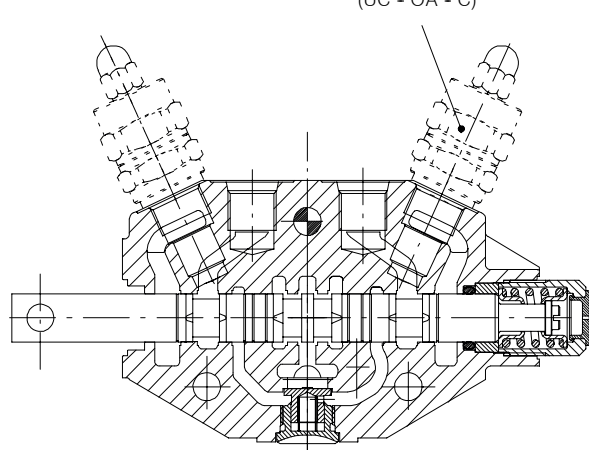
8A.7.1 Standard circuit: parallel



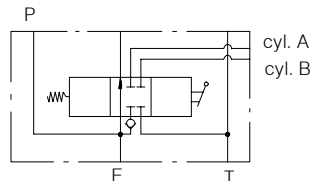
Ø D	Type/Code	
	Standard	Section with valve UC - OA - C
SAE6	K01 200.9413.6051.0	K06 200.9413.6053.0
SAE8	K02 200.9413.7027.0	K07 200.9413.7028.0
3/8" BSP	K04 200.9413.2624.0	K09 200.9413.2625.0
M18X1.5	K05 200.9413.1272.0	K10 200.9413.1273.0



8A.7.2 Optional circuit: series and tandem



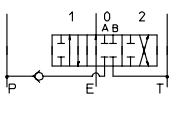
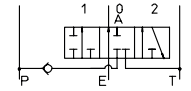
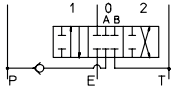
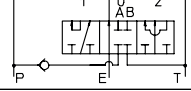
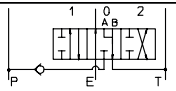
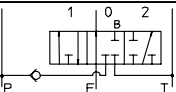
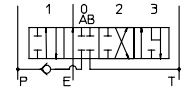
Ø D	Type/Code	
	Standard	Section with valve UC - OA - C
SAE6	K47 200.9413.6052.0	K52 200.9413.6054.0
SAE8	K48 200.9413.7029.0	K53 200.9413.7030.0
3/8" BSP	K50 200.9413.2626.0	K55 200.9413.2627.0
M18X1.5	K51 200.9413.1274.0	K56 200.9413.1275.0



Monoblock- und Selektional-Ventile Monoblocs et sélecteurs de voies

230227

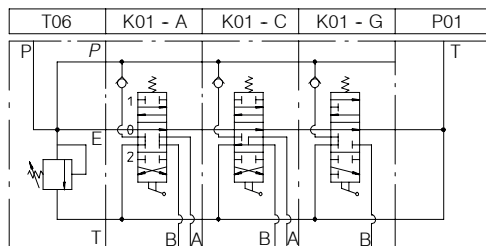
8A.8 Spool charts

Spool scheme	Spool features	Type	
	4 way - 3 position A/B closed E open by pass	A AR**	 3 way - 3 position A closed E open by pass S SR**
	High metering spool (max flow suggested 15 l/min.)	AS	
	4 way - 3 position A/B-E closed	B	 4 way - 3 position series connection X
	4 way - 3 position A/B to tank in neutral E open by pass	C	
	3 way - 3 position B closed E open by pass	G GR**	 4 way - 4 position 4th floating position Z ZR**

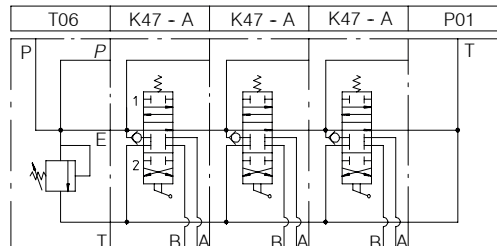
* : "WW" spool require special body (K...), positioner (240) and lever (L192)
** : special body required

8A.9 Hydraulic circuits

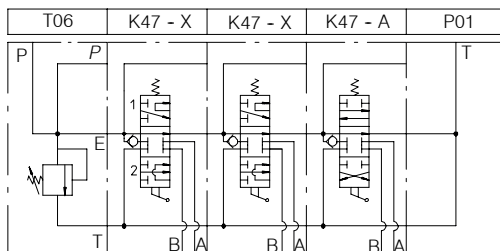
Standard parallel circuit



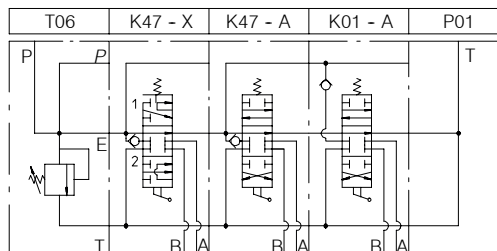
Optional tandem circuit



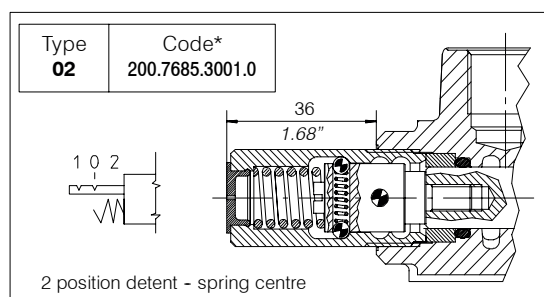
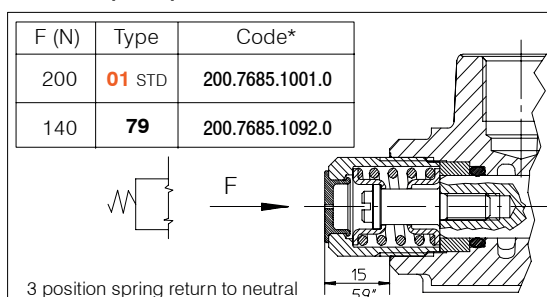
Optional series circuit



Combined parallel/series circuit



8A.10 Spool positioners



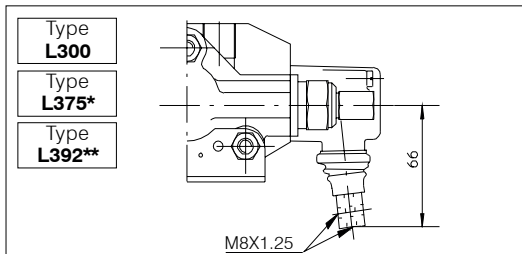
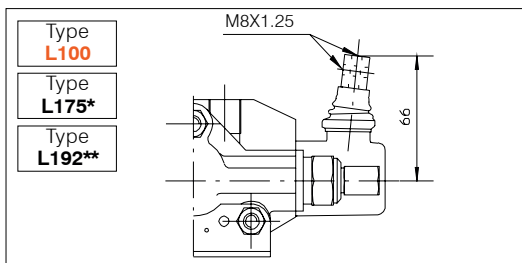
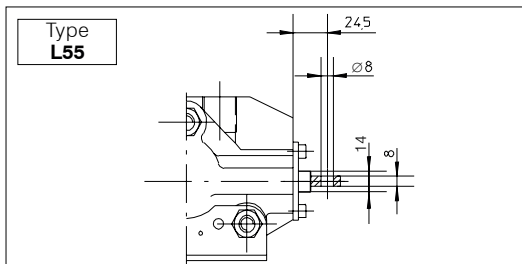
* : code without plastic plug; plastic plug code: 200.6780.0008.0
Code F (N)**: force in Newton (N) needed to operate the spool

Monoblock- und Selektional-Ventile Monoblocs et sélecteurs de voies

230227

HDS11

8A.11 Lever styles

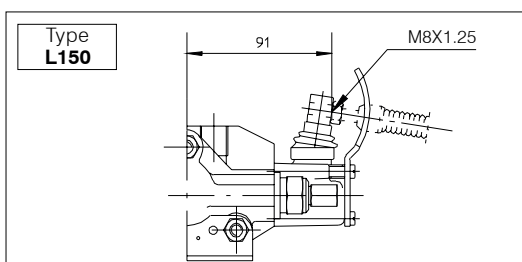
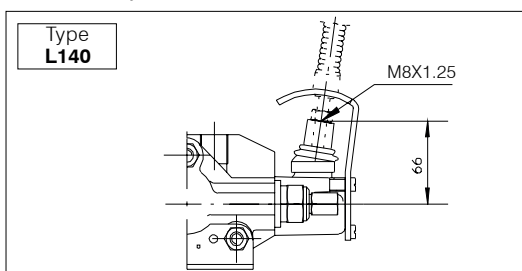


Lo		Type	Code
mm	inches		
150	5.90	AL001	200.7022.1019.0
200	7.87	AL002	200.7022.1003.0
250	9.84	AL003	200.7022.1005.0
300	11.81	AL004	200.7022.1006.0

*: L175 - L375 only for "Z" spool application

** : L192 - L392 only for "WW" spool application

8A.11.1 Safety levers



Lo		Type	Code
mm	inches		
160	6.30	AL014	200.7022.1009.0
180	7.08	AL018	200.7022.1011.0

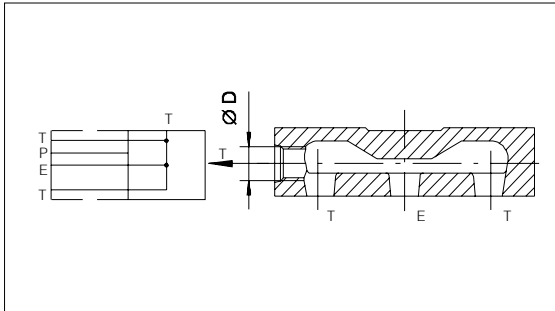
Monoblock- und Selektional-Ventile Monoblocs et sélecteurs de voies

230228

HDS11

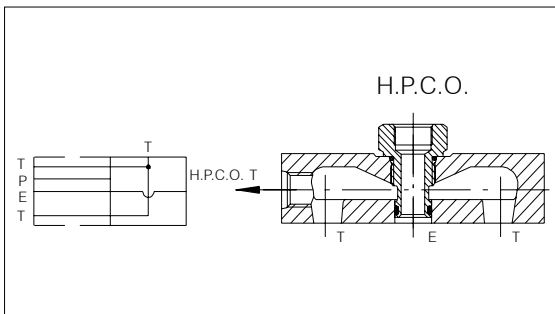
8A.6 End covers

8A.6.1 Outlet manifold (std) with T and open center



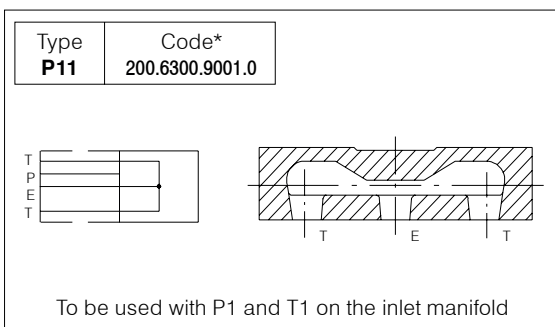
Ø D	Type	Code
SAE6	P01	200.6300.6001.1
SAE8	P02	200.6300.7001.0
3/8" BSP	P04	200.6300.2001.1
M18X1.5	P05	200.6300.1001.0

8A.6.2 Outlet manifold with T and H.P.C.O. (power beyond)

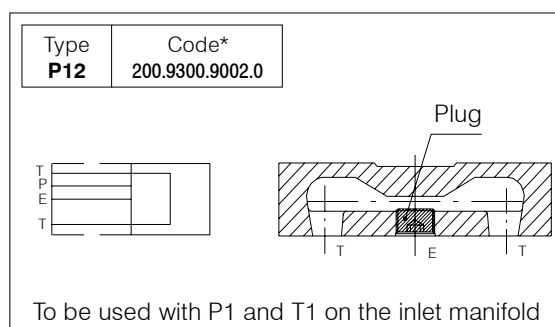


Ø D	Type	Code
SAE6	P06	200.9300.6002.0
SAE8	P07	200.9300.7002.0
3/8" BSP	P09	200.9300.2002.0
M18X1.5	P10	200.9300.1002.0

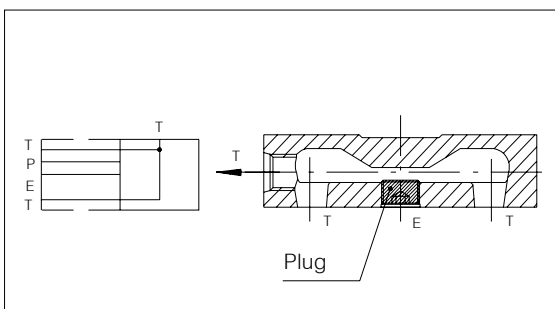
8A.6.3 Outlet manifold with open center



8A.6.4 Outlet manifold with closed center



8A.6.5 Outlet manifold with T and closed center



Ø D	Type	Code
SAE6	P13	200.9300.6003.0
SAE8	P14	200.9300.7003.0
3/8" BSP	P16	200.9300.2003.0
M18X1.5	P17	200.9300.1003.0

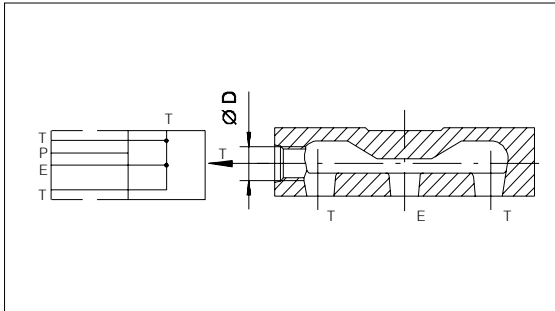
Monoblock- und Selektional-Ventile Monoblocs et sélecteurs de voies

230229

HDS11

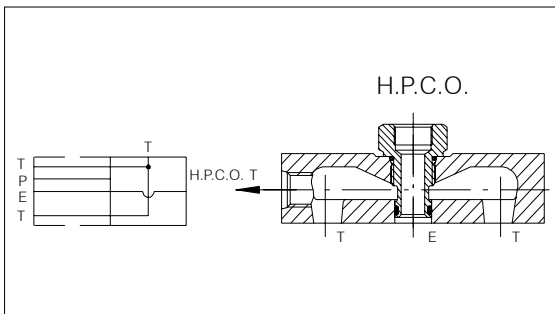
8A.6 End covers

8A.6.1 Outlet manifold (std) with T and open center



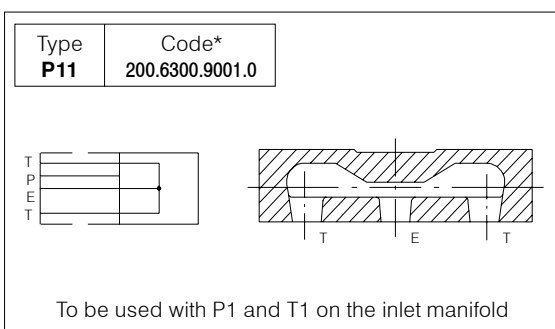
Ø D	Type	Code
SAE6	P01	200.6300.6001.1
SAE8	P02	200.6300.7001.0
3/8" BSP	P04	200.6300.2001.1
M18X1.5	P05	200.6300.1001.0

8A.6.2 Outlet manifold with T and H.P.C.O. (power beyond)

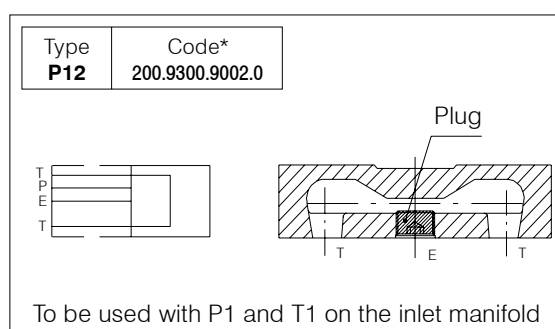


Ø D	Type	Code
SAE6	P06	200.9300.6002.0
SAE8	P07	200.9300.7002.0
3/8" BSP	P09	200.9300.2002.0
M18X1.5	P10	200.9300.1002.0

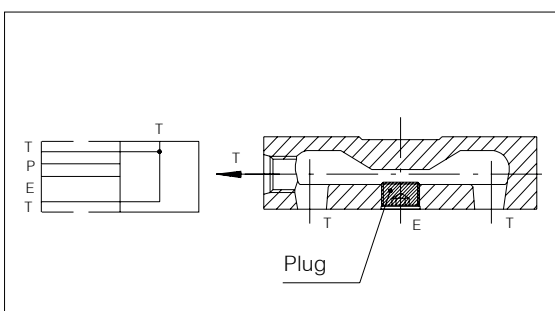
8A.6.3 Outlet manifold with open center



8A.6.4 Outlet manifold with closed center



8A.6.5 Outlet manifold with T and closed center



Ø D	Type	Code
SAE6	P13	200.9300.6003.0
SAE8	P14	200.9300.7003.0
3/8" BSP	P16	200.9300.2003.0
M18X1.5	P17	200.9300.1003.0

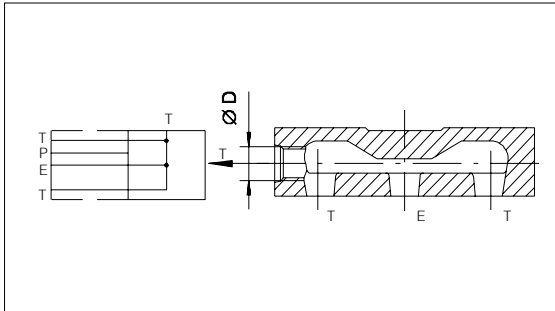
Monoblock- und Selektional-Ventile Monoblocs et sélecteurs de voies

230230

HDS11

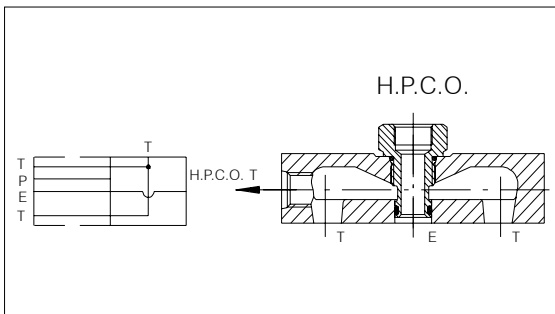
8A.6 End covers

8A.6.1 Outlet manifold (std) with T and open center



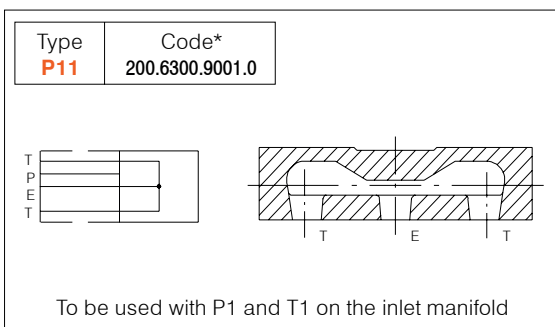
Ø D	Type	Code
SAE6	P01	200.6300.6001.1
SAE8	P02	200.6300.7001.0
3/8" BSP	P04	200.6300.2001.1
M18X1.5	P05	200.6300.1001.0

8A.6.2 Outlet manifold with T and H.P.C.O. (power beyond)

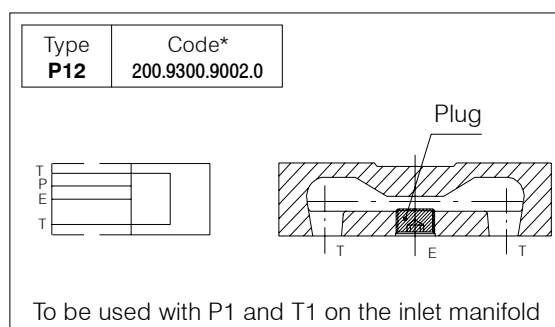


Ø D	Type	Code
SAE6	P06	200.9300.6002.0
SAE8	P07	200.9300.7002.0
3/8" BSP	P09	200.9300.2002.0
M18X1.5	P10	200.9300.1002.0

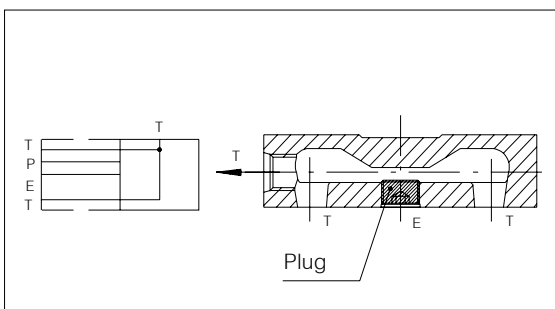
8A.6.3 Outlet manifold with open center



8A.6.4 Outlet manifold with closed center



8A.6.5 Outlet manifold with T and closed center



Ø D	Type	Code
SAE6	P13	200.9300.6003.0
SAE8	P14	200.9300.7003.0
3/8" BSP	P16	200.9300.2003.0
M18X1.5	P17	200.9300.1003.0

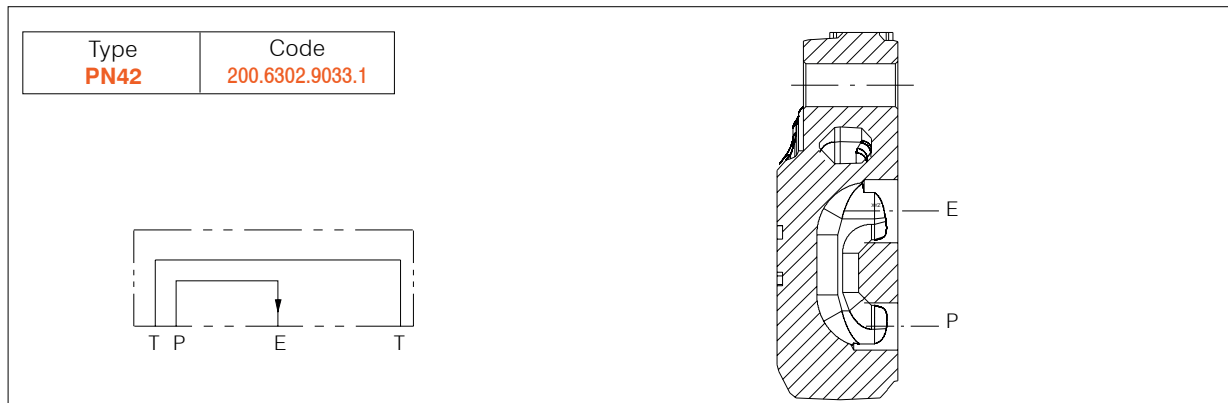
Monoblock- und Selektional-Ventile Monoblocs et sélecteurs de voies

231080

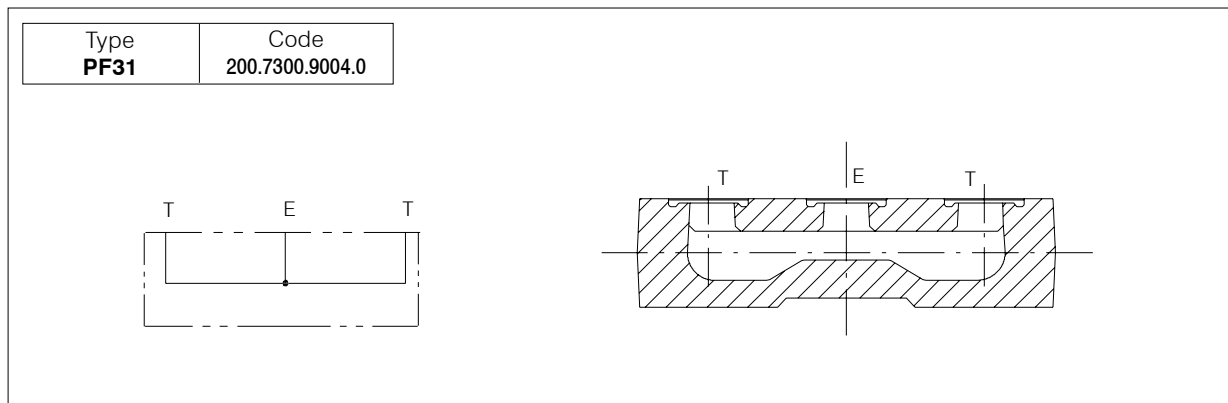
HDS11

8C.12 End cover for K100 and T100

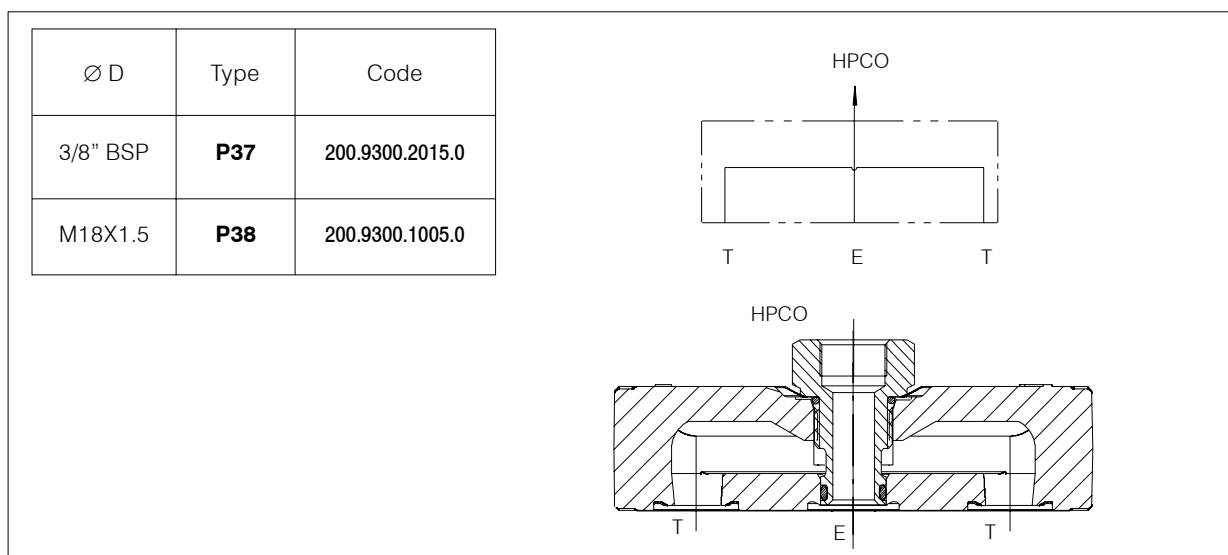
8C.12.1 Right cover



8C.12.2 Standard left cover



8C.12.3 Carry-over left cover



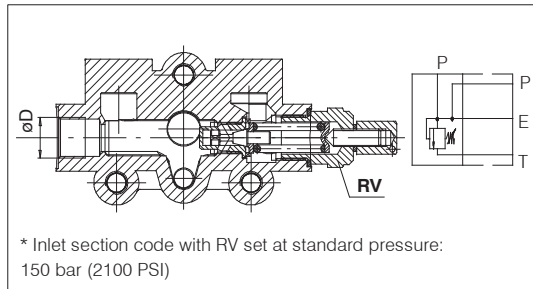
Monoblock- und Selektional-Ventile Monoblocs et sélecteurs de voies

230231

HDS11

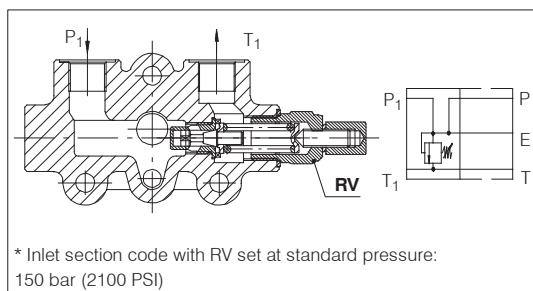
8A.4 Inlet and outlet covers

8A.4.1 Inlet manifold (standard) with P and RV



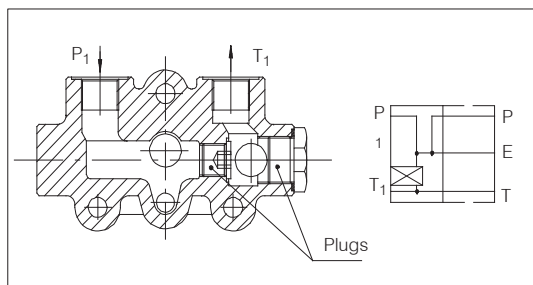
Ø D	Type	Code
SAE6	T06	* 200.9310.6002.0
SAE8	T07	* 200.9310.7003.0
3/8" BSP	T09	* 200.9310.2002.0
M18X1.5	T10	* 200.9310.1003.0

8A.4.2 Inlet manifold with P₁ - T₁ - RV



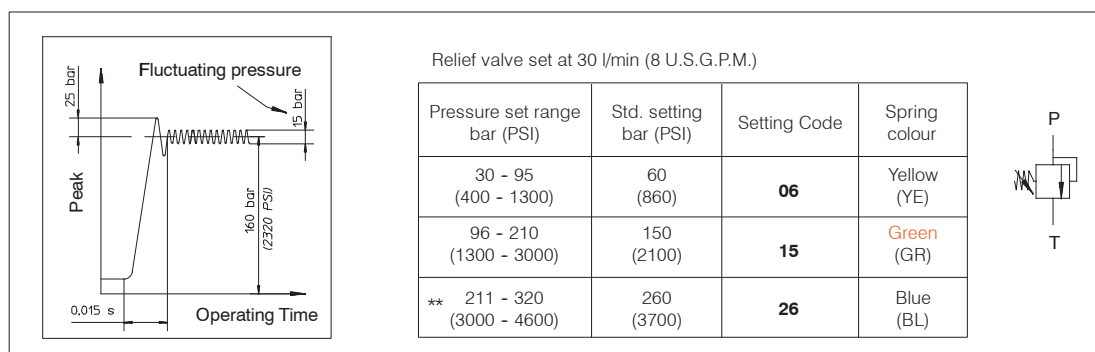
Ø D	Type	Code
SAE6	T11	* 200.9310.6003.0
SAE8	T12	* 200.9310.7002.0
3/8" BSP	T14	* 200.9310.2003.0
M18X1.5	T15	* 200.9310.1002.0

8A.4.3 Inlet manifold with P₁ - T₁



Ø D	Type	Code
SAE6	T16	200.9310.6004.0
SAE8	T17	200.9310.7005.0
3/8" BSP	T19	200.9310.2004.0
M18X1.5	T20	200.9310.1004.0

8A.5 Adjustable direct acting pressure Relief Valve RV



** The maximum operating pressure for each valve series is indicated in the "Technical specification" at the first page of each valve section.

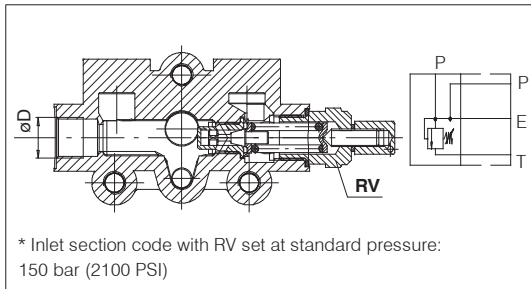
Monoblock- und Selektional-Ventile Monoblocs et sélecteurs de voies

230232

HDS11

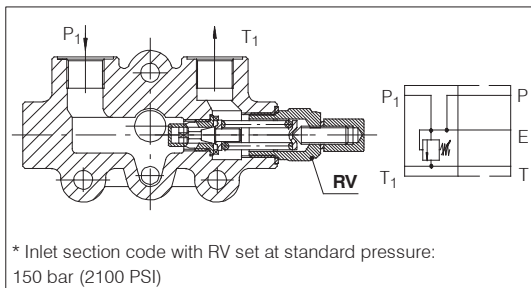
8A.4 Inlet and outlet covers

8A.4.1 Inlet manifold (standard) with P and RV



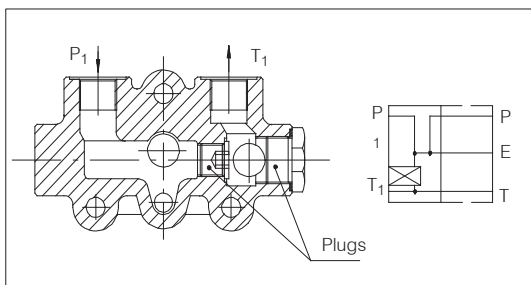
Ø D	Type	Code
SAE6	T06	* 200.9310.6002.0
SAE8	T07	* 200.9310.7003.0
3/8" BSP	T09	* 200.9310.2002.0
M18X1.5	T10	* 200.9310.1003.0

8A.4.2 Inlet manifold with P₁ - T₁ - RV



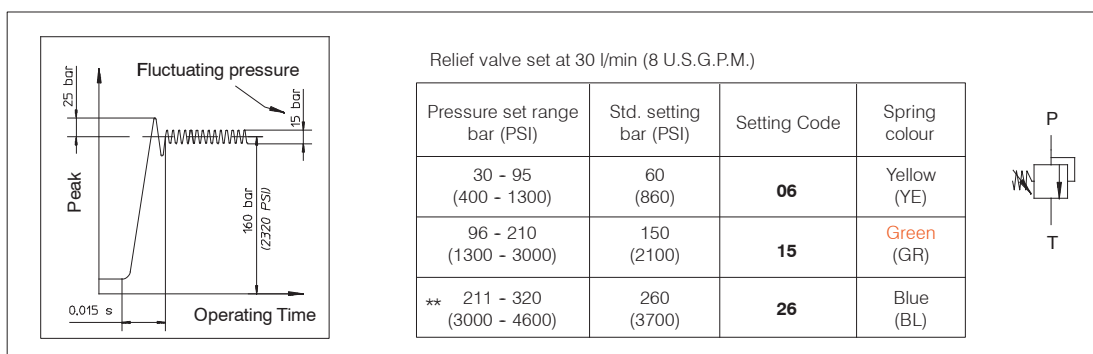
Ø D	Type	Code
SAE6	T11	* 200.9310.6003.0
SAE8	T12	* 200.9310.7002.0
3/8" BSP	T14	* 200.9310.2003.0
M18X1.5	T15	* 200.9310.1002.0

8A.4.3 Inlet manifold with P₁ - T₁



Ø D	Type	Code
SAE6	T16	200.9310.6004.0
SAE8	T17	200.9310.7005.0
3/8" BSP	T19	200.9310.2004.0
M18X1.5	T20	200.9310.1004.0

8A.5 Adjustable direct acting pressure Relief Valve RV



Monoblock- und Selektional-Ventile Monoblocs et sélecteurs de voies

230233

HDS11

8C.3 Inlet cover T100

8C.3.1 Application variation

Inlet cover with priority flow divider pressure compensated valve, pressure relief valves and by-pass valve.

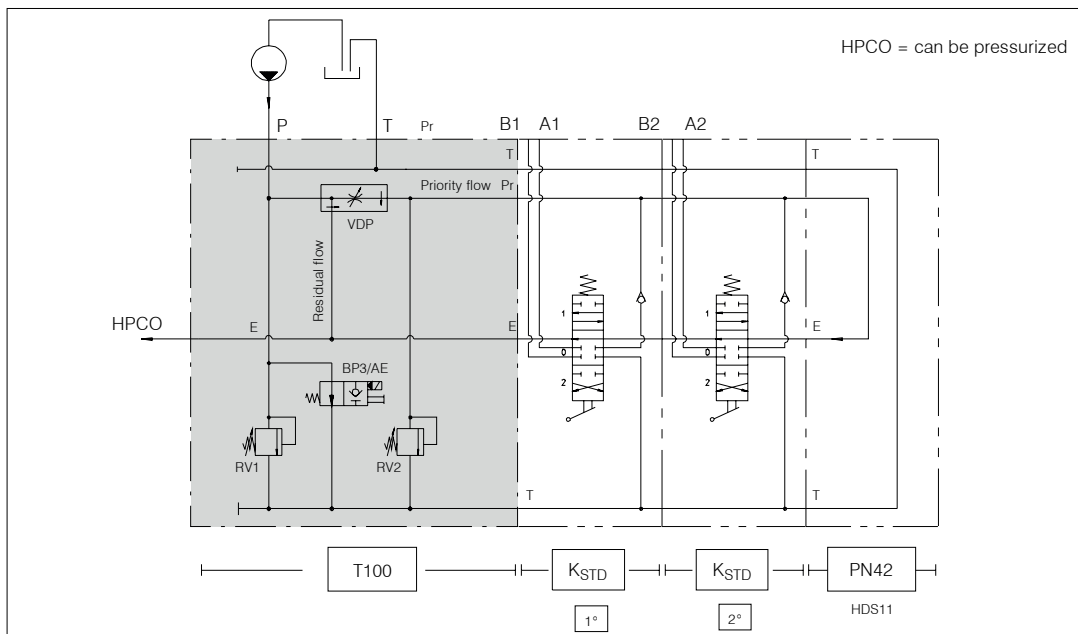
Ø D	Type
M18X1.5	T100/1
3/8" BSP	T100/2
SAE8	T100/7

Pressure set range (bar)	Standard Setting bar	Relief valves Type
30 ÷ 95	60	RV1 or RV2 - 06
96 ÷ 210	150	RV1 or RV2 - 15
211 ÷ 320	260	RV1 or RV2 - 26

Pressure set range (l/min)	Standard Setting l/min	Flow regulator Type
0.5 ÷ 6	6	VDP 06
0.5 ÷ 12	12	VDP 12
0.5 ÷ 25	25	VDP 25
0.5 ÷ 40	40	VDP 40

VDPF: 1 ÷ 40 l/min

8C.3.2 Scheme example



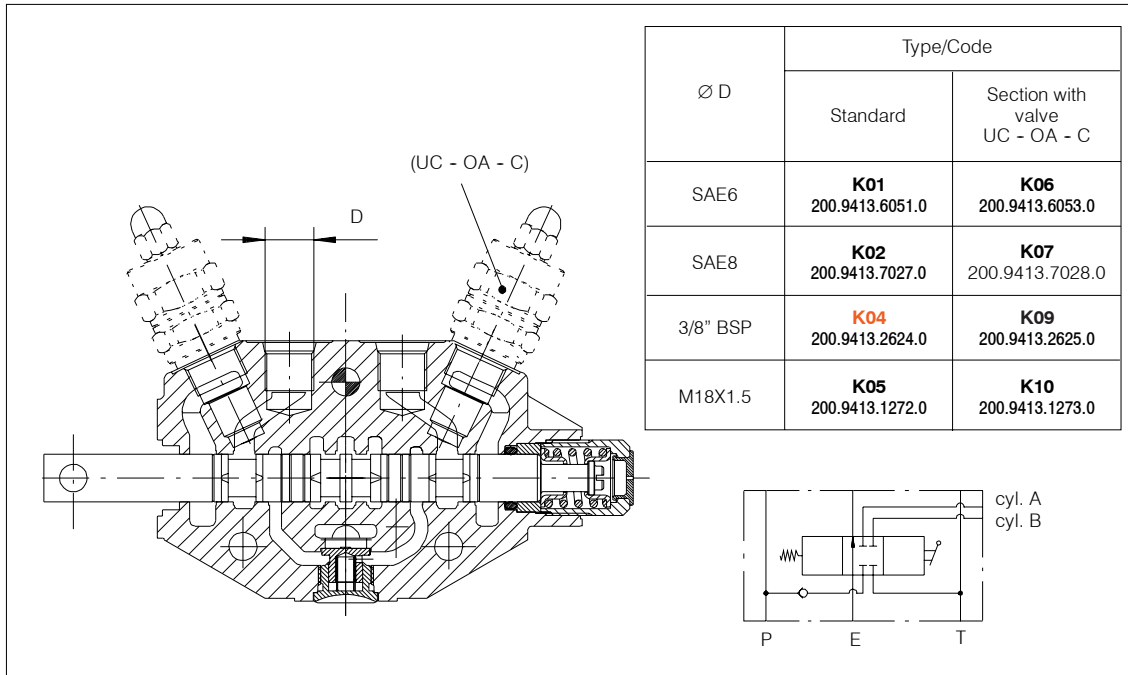
Monoblock- und Selektional-Ventile Monoblocs et sélecteurs de voies

230234

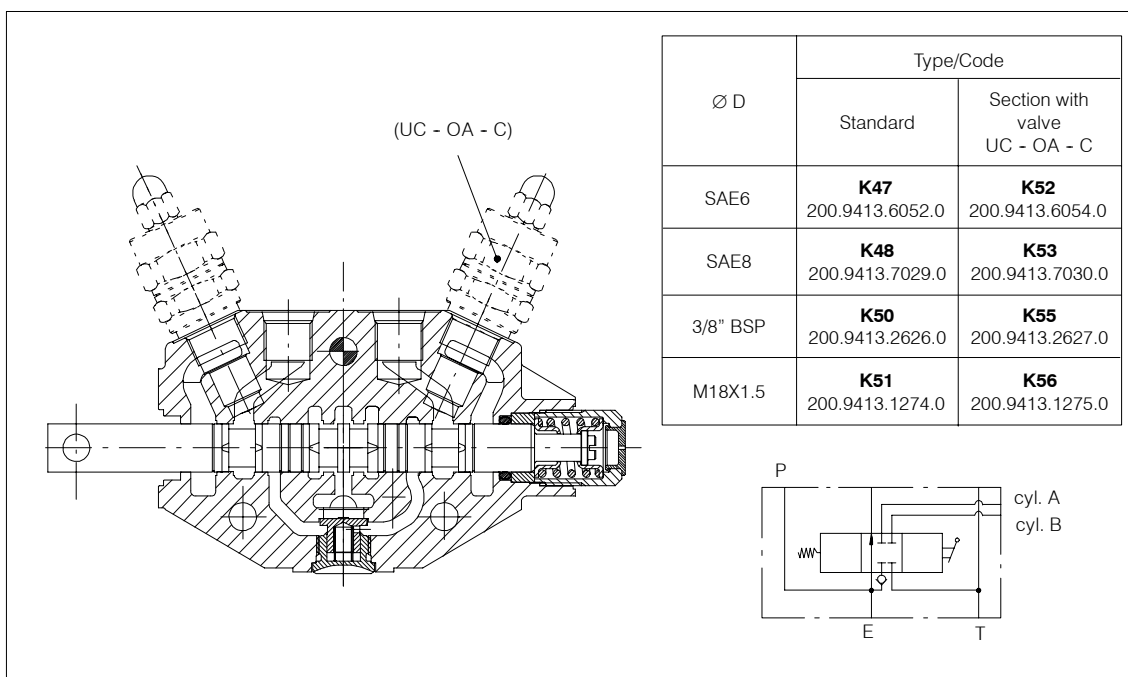
HDS11

8A.7 Sectional bodies

8A.7.1 Standard circuit: parallel



8A.7.2 Optional circuit: series and tandem



Monoblock- und Selektional-Ventile Monoblocs et sélecteurs de voies

230234

HDS11

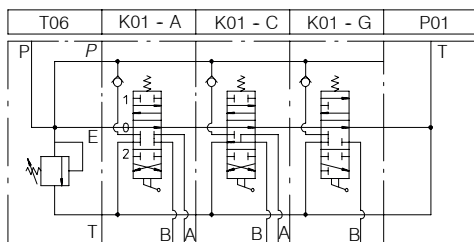
8A.8 Spool charts

Spool scheme	Spool features	Type
	4 way - 3 position A/B closed E open by pass	A AR**
	High metering spool (max flow suggested 15 l/min.)	AS
	4 way - 3 position A/B-E closed	B
	4 way - 3 position A/B to tank in neutral E open by pass	C
	3 way - 3 position B closed E open by pass	G GR**
	3 way - 3 position A closed E open by pass	S SR**
	4 way - 3 position series connection	X
	4 way - 4 position 4 th floating position	Z ZR**
	4 way - 4 position 4 th floating position	WW *

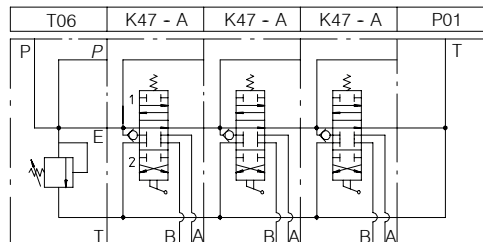
*: "WW" spool require special body (K...), positioner (240) and lever (L192)
**: special body required

8A.9 Hydraulic circuits

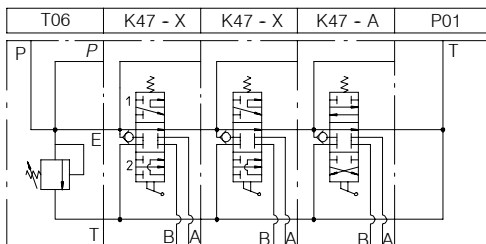
Standard parallel circuit



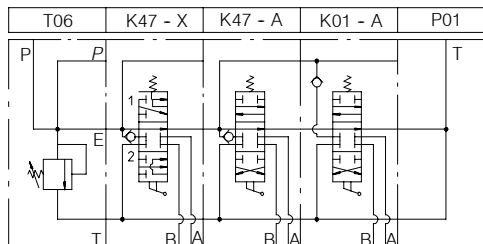
Optional tandem circuit



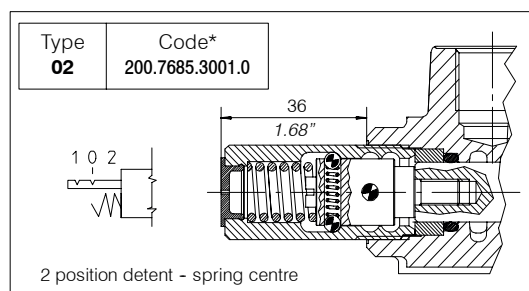
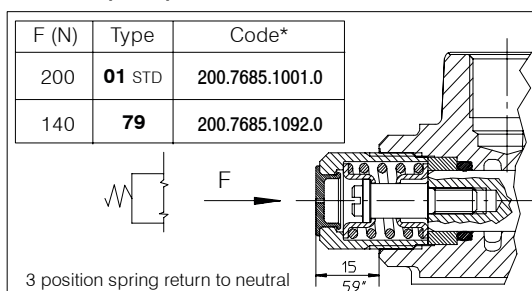
Optional series circuit



Combined parallel/series circuit



8A.10 Spool positioners

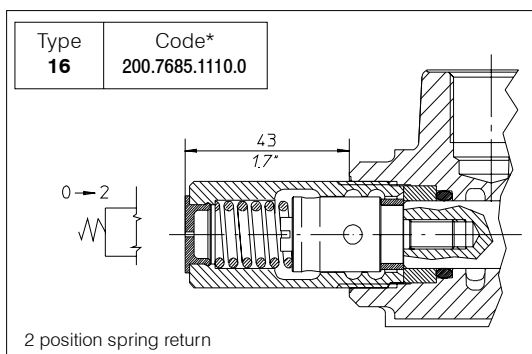
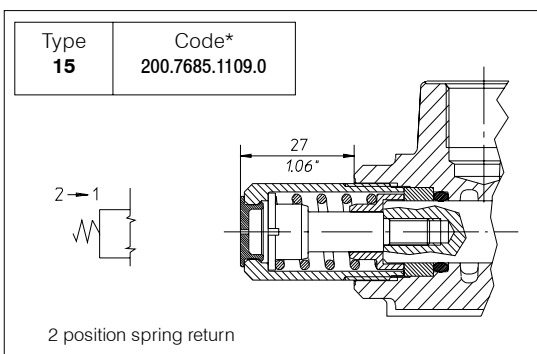
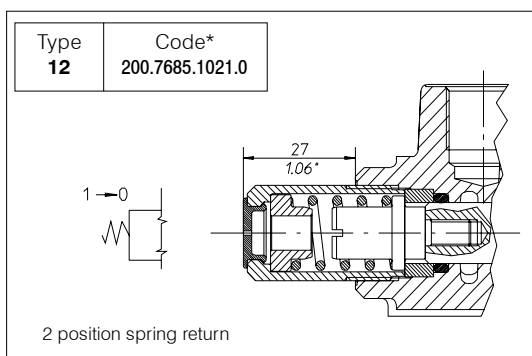
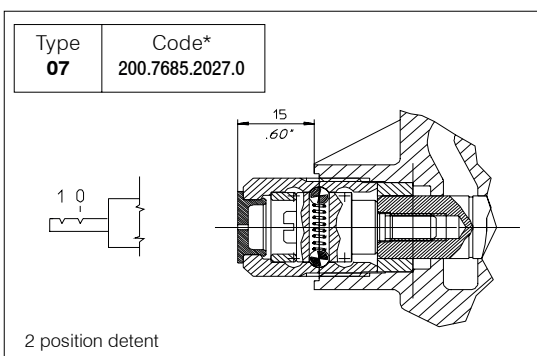
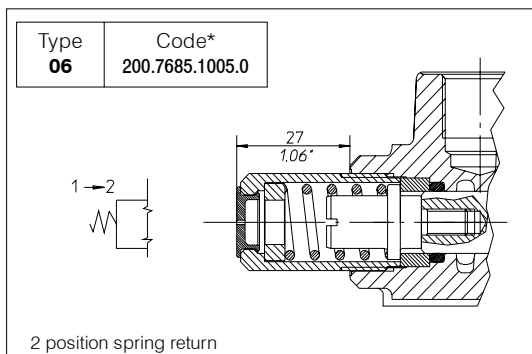
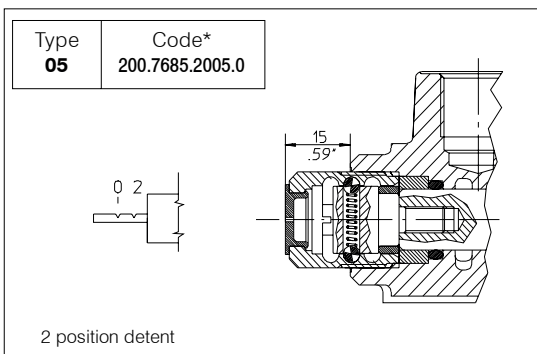
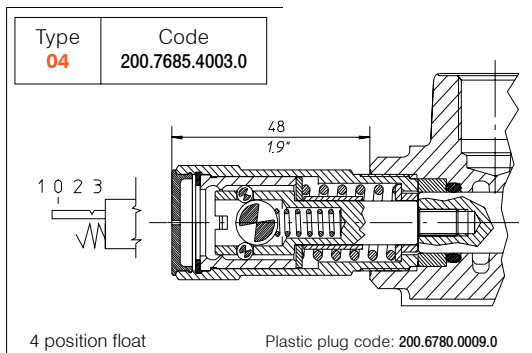
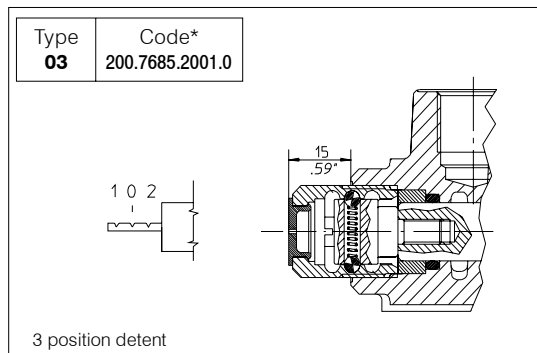


*: code without plastic plug; plastic plug code: 200.6780.0008.0
Code F (N)**: force in Newton (N) needed to operate the spool

Monoblock- und Selektional-Ventile Monoblocs et sélecteurs de voies

230234

HDS11



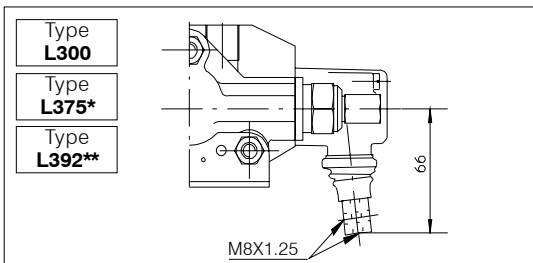
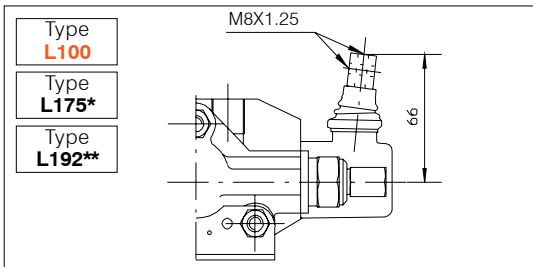
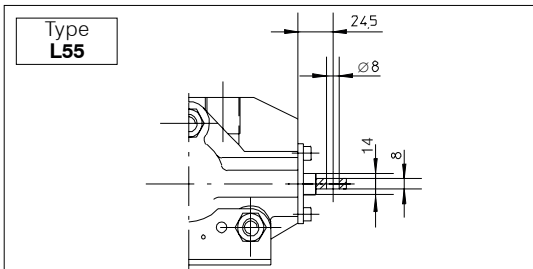
* : code without plastic plug; plastic plug code: 200.6780.0008.0

Monoblock- und Selektional-Ventile Monoblocs et sélecteurs de voies

230234

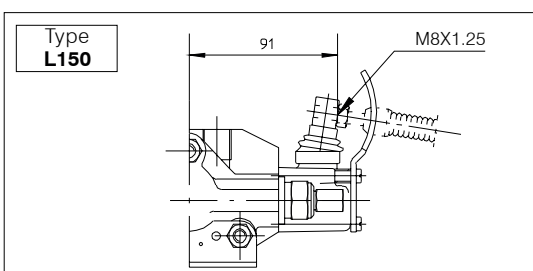
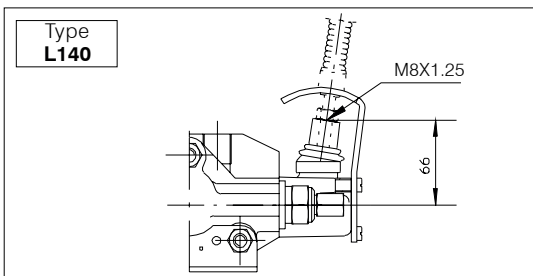
HDS11

8A.11 Lever styles



*: L175 - L375 only for "Z" spool application
 **: L192 - L392 only for "WW" spool application

8A.11.1 Safety levers



Lo		Type	Code
mm	inches		
150	5.90	AL001	200.7022.1019.0
200	7.87	AL002	200.7022.1003.0
250	9.84	AL003	200.7022.1005.0
300	11.81	AL004	200.7022.1006.0

Lo		Type	Code
mm	inches		
160	6.30	AL014	200.7022.1009.0
180	7.08	AL018	200.7022.1011.0

Monoblock- und Selektional-Ventile Monoblocs et sélecteurs de voies

230878

HDS11

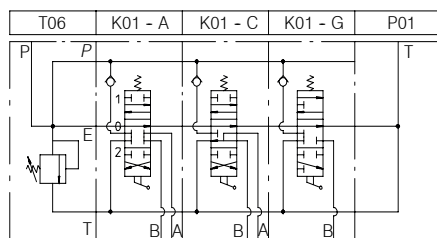
8A.8 Spool charts

Spool scheme	Spool features	Type
	4 way - 3 position A/B closed E open by pass	A AR**
	High metering spool (max flow suggested 15 l/min.)	AS
	4 way - 3 position A/B-E closed	B
	4 way - 3 position A/B to tank in neutral E open by pass	C
	3 way - 3 position B closed E open by pass	G GR**
	3 way - 3 position A closed E open by pass	S SR**
	4 way - 3 position series connection	X
	4 way - 4 position 4 th floating position	Z ZR**
	4 way - 4 position 4 th floating position	WW *

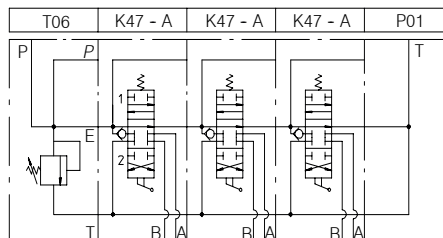
*: "WW" spool require special body (K...), positioner (240) and lever (L192)
**: special body required

8A.9 Hydraulic circuits

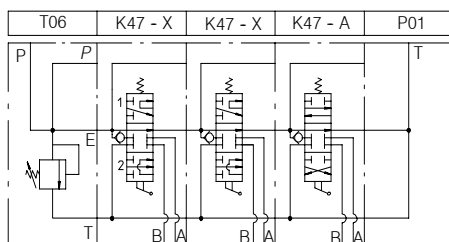
Standard parallel circuit



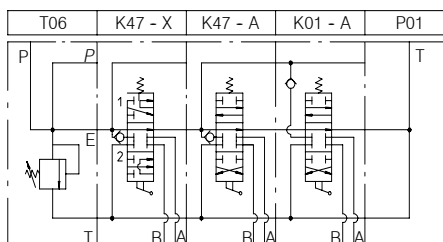
Optional tandem circuit



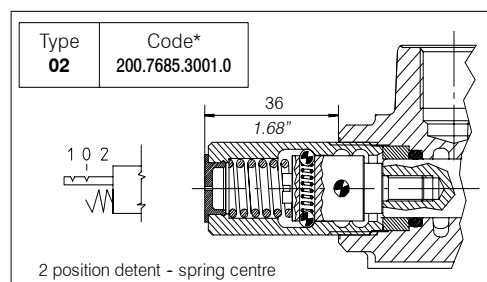
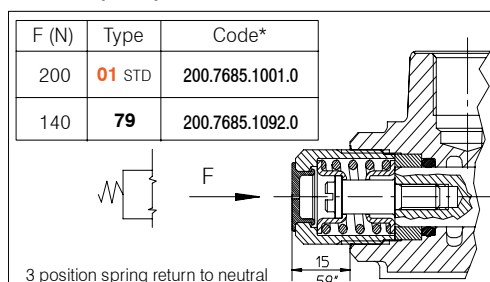
Optional series circuit



Combined parallel/series circuit



8A.10 Spool positioners



*: code without plastic plug; plastic plug code: 200.6780.0008.0
Code F (N)**: force in Newton (N) needed to operate the spool

Monoblock- und Selektional-Ventile Monoblocs et sélecteurs de voies

230287

HDS11

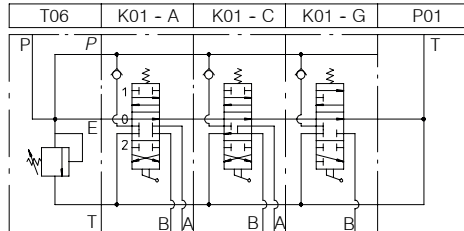
8A.8 Spool charts

Spool scheme	Spool features	Type
	4 way - 3 position A/B closed E open by pass	A AR**
	High metering spool (max flow suggested 15 l/min.)	AS
	4 way - 3 position A/B-E closed	B
	4 way - 3 position A/B to tank in neutral E open by pass	C
	3 way - 3 position B closed E open by pass	G GR**
	3 way - 3 position A closed E open by pass	S SR**
	4 way - 3 position series connection	X
	4 way - 4 position 4 th floating position	Z ZR**
	4 way - 4 position 4 th floating position	WW *

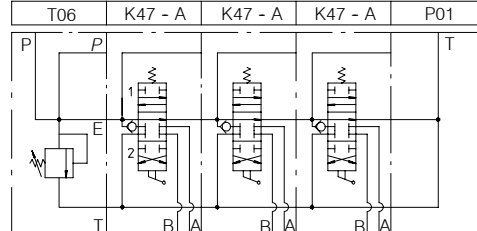
*: "WW" spool require special body (K...), positioner (240) and lever (L192)
**: special body required

8A.9 Hydraulic circuits

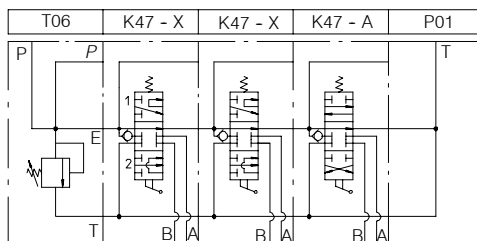
Standard parallel circuit



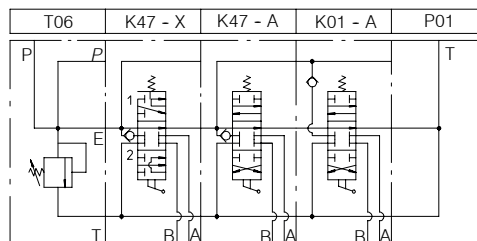
Optional tandem circuit



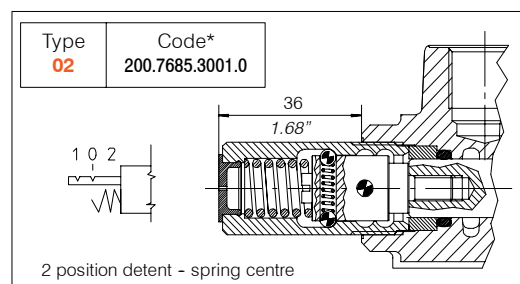
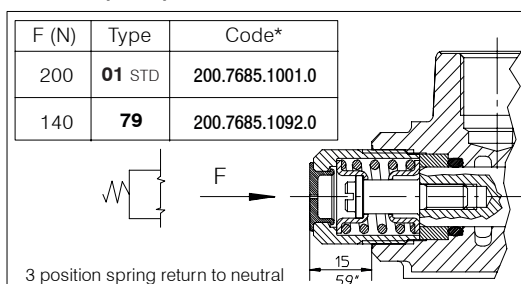
Optional series circuit



Combined parallel/series circuit



8A.10 Spool positioners

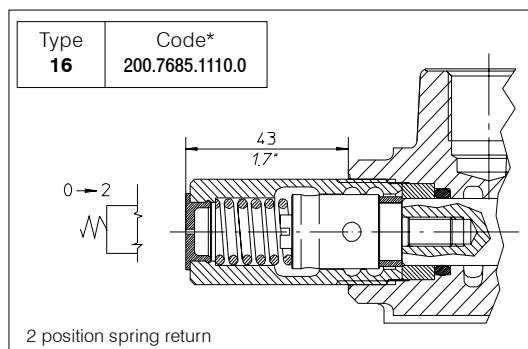
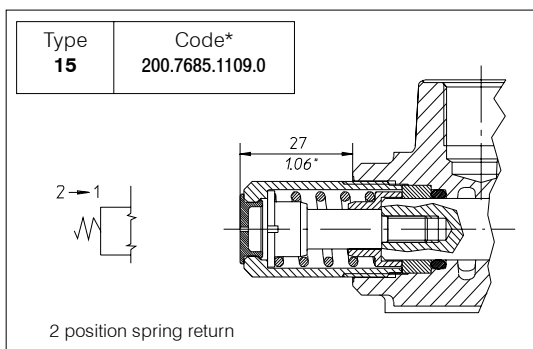
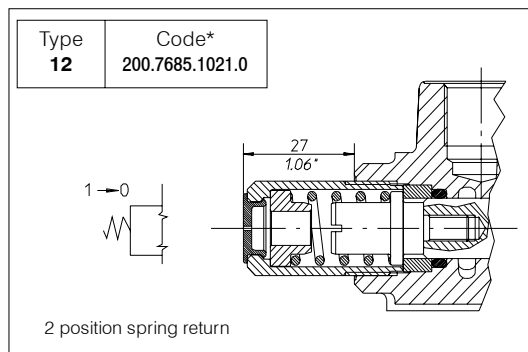
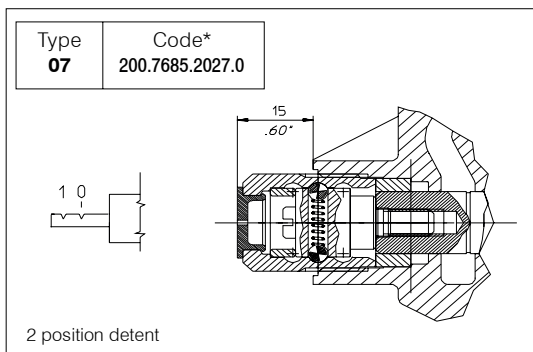
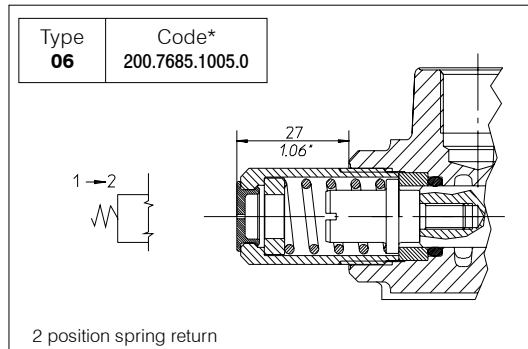
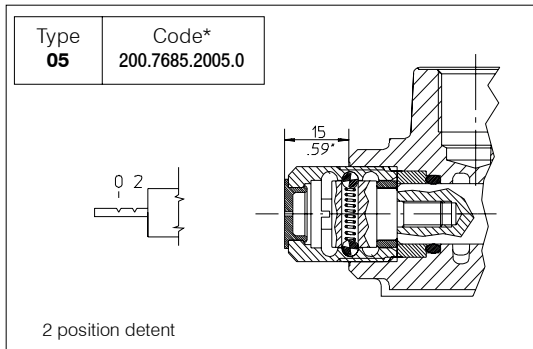
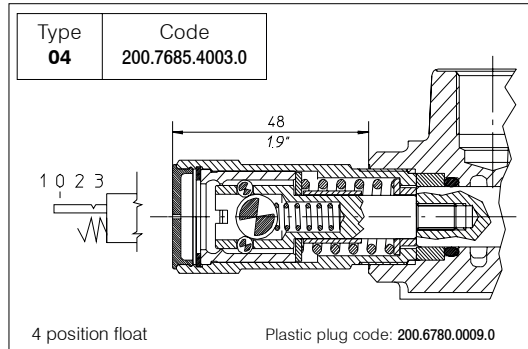
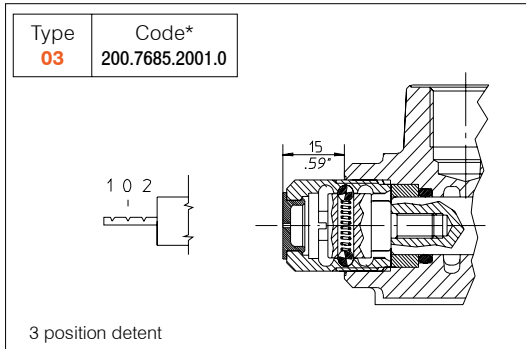


*: code without plastic plug; plastic plug code: 200.6780.0008.0
Code F (N)**: force in Newton (N) needed to operate the spool

Monoblock- und Selektional-Ventile Monoblocs et sélecteurs de voies

230288

HDS11

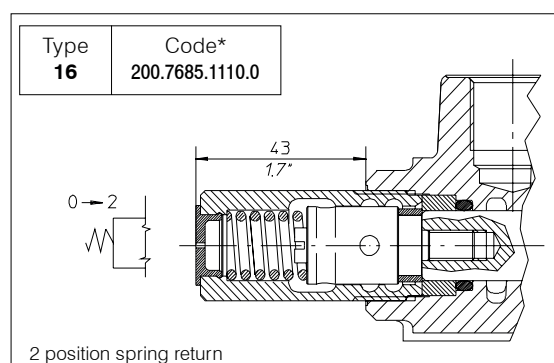
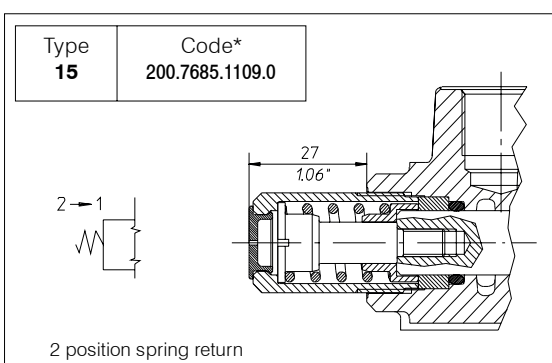
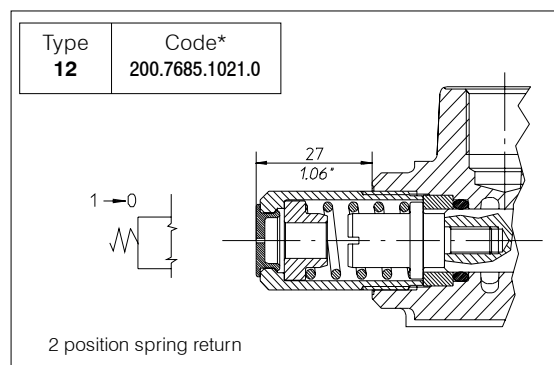
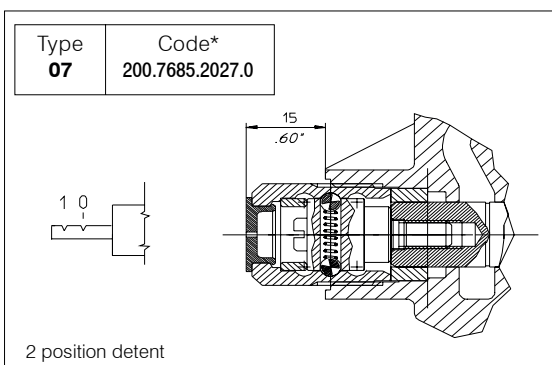
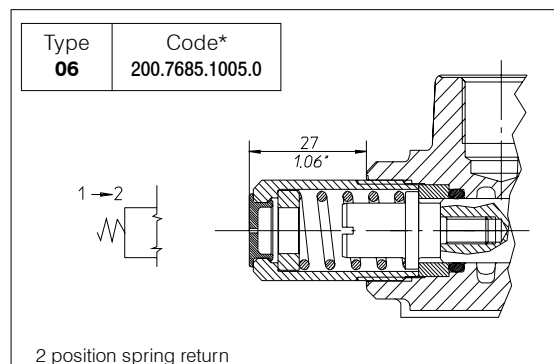
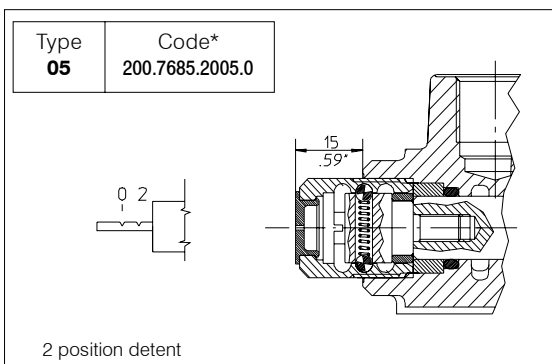
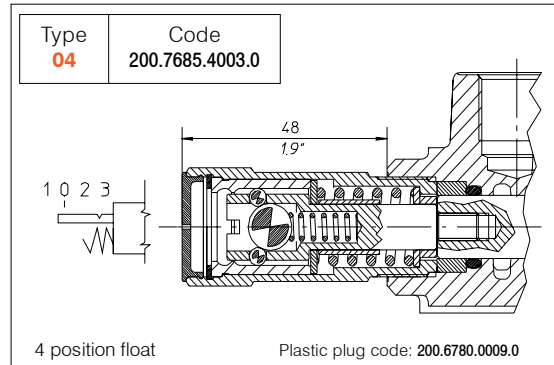
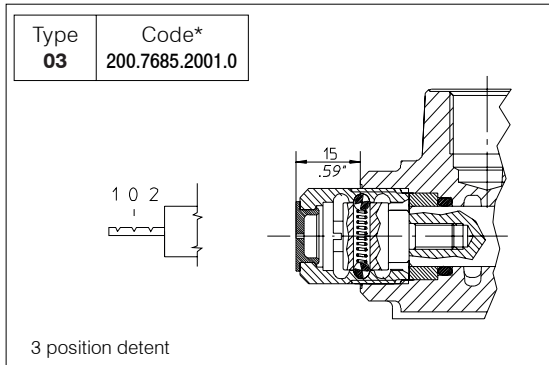


* : code without plastic plug; plastic plug code: 200.6780.0008.0

Monoblock- und Selektional-Ventile Monoblocs et sélecteurs de voies

230289

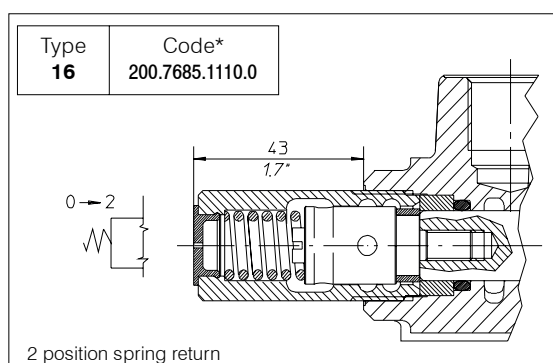
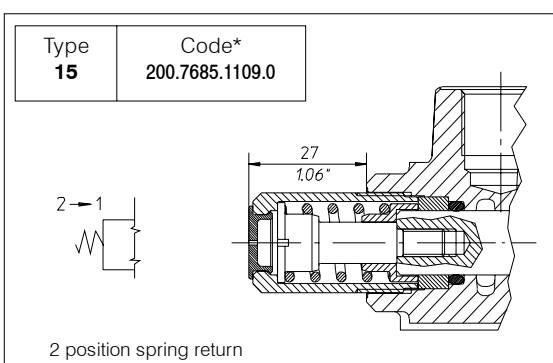
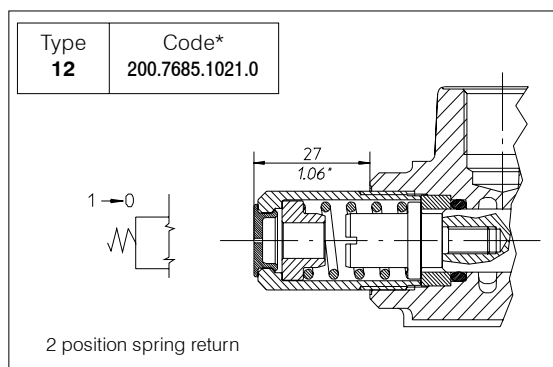
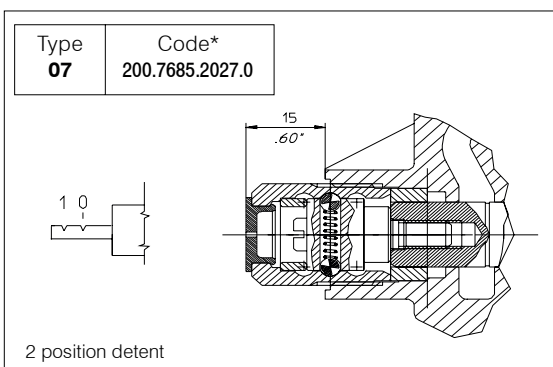
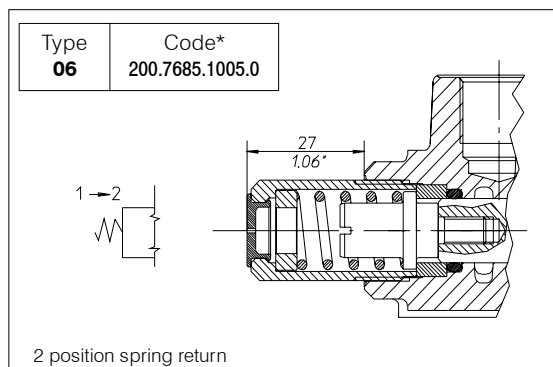
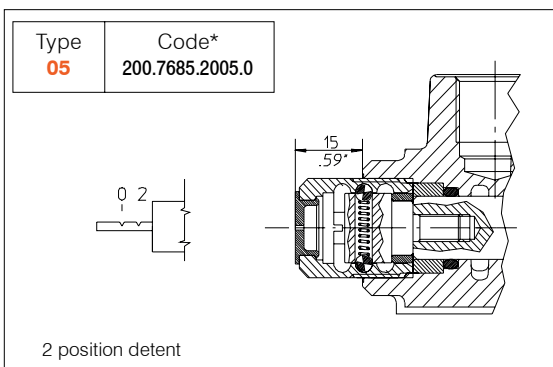
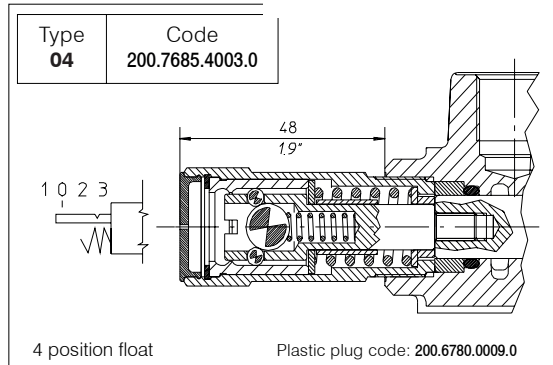
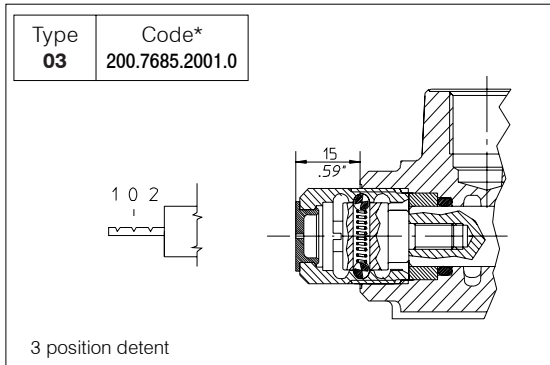
HDS11



Monoblock- und Selektional-Ventile Monoblocs et sélecteurs de voies

230290

HDS11



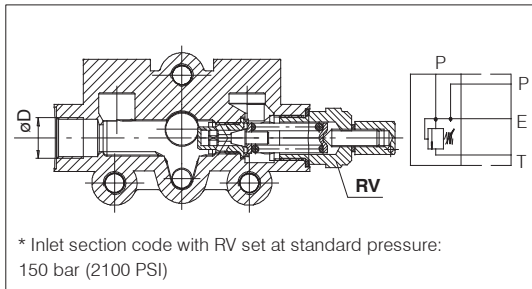
Monoblock- und Selektional-Ventile Monoblocs et sélecteurs de voies

230291

HDS11

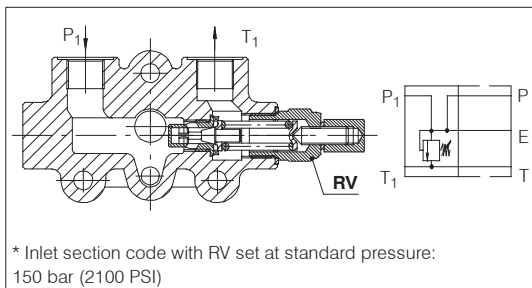
8A.4 Inlet and outlet covers

8A.4.1 Inlet manifold (standard) with P and RV



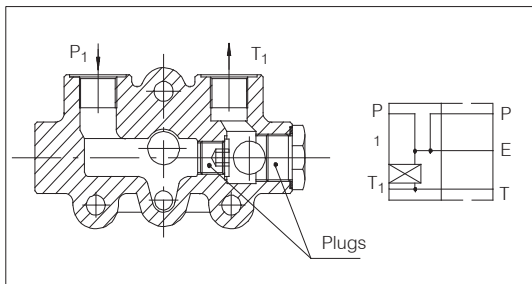
Ø D	Type	Code
SAE6	T06	* 200.9310.6002.0
SAE8	T07	* 200.9310.7003.0
3/8" BSP	T09	* 200.9310.2002.0
M18X1.5	T10	* 200.9310.1003.0

8A.4.2 Inlet manifold with P₁ - T₁ - RV



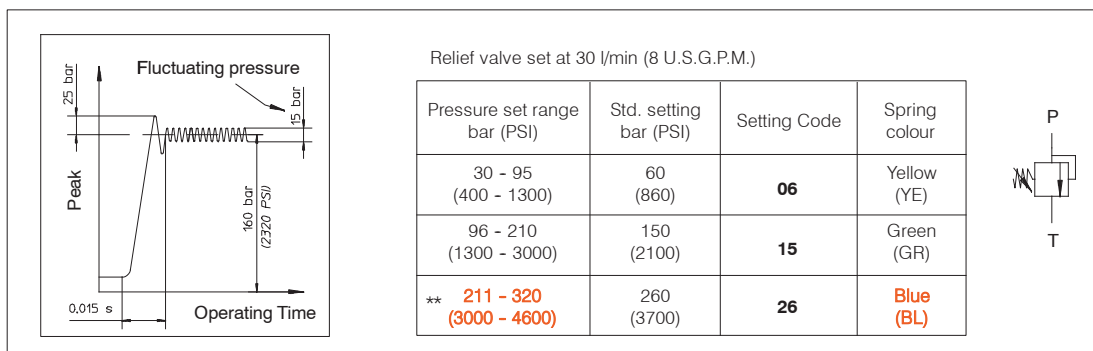
Ø D	Type	Code
SAE6	T11	* 200.9310.6003.0
SAE8	T12	* 200.9310.7002.0
3/8" BSP	T14	* 200.9310.2003.0
M18X1.5	T15	* 200.9310.1002.0

8A.4.3 Inlet manifold with P₁ - T₁



Ø D	Type	Code
SAE6	T16	200.9310.6004.0
SAE8	T17	200.9310.7005.0
3/8" BSP	T19	200.9310.2004.0
M18X1.5	T20	200.9310.1004.0

8A.5 Adjustable direct acting pressure Relief Valve RV



** The maximum operating pressure for each valve series is indicated in the "Technical specification" at the first page of each valve section.